
LMF / LMG Connectors

Threaded coupling circular connectors
designed to use in exposed environments



Weald
ELECTRONICS

MANUFACTURERS OF HIGH QUALITY CONNECTORS AND CONNECTOR ACCESSORIES

www.wealdelectronics.com

**LMF / LMG RANGE
CONTENTS**

Introduction	<u>3</u>
How to use LMF / LMG Catalogues	<u>3</u>
LMF Range Basic Information	<u>4</u>
LMF Range Shell Styles (Aluminium)	<u>5</u>
LMF Range Shell Styles (Brass)	<u>6</u>
LMF Range Mating Combinations	<u>7</u>
LMF Range Characteristics	<u>8</u>
LMG Range Basic Information	<u>9</u>
LMG Range Shell Styles (Aluminium)	<u>10</u>
LMG Range Shell Styles (Brass)	<u>11</u>
LMG Range Mating Combinations	<u>12</u>
LMG Range Characteristics	<u>13</u>
LMF/LMG Connector Ordering Information	<u>14</u>
LMF/LMG Range Connectors	<u>15-35</u>
LMF/LMG Dimensions and Panel Piercing Details (Aluminium)	<u>36-37</u>
LMF/LMG Dimensions and Panel Piercing Details (Brass)	<u>38-41</u>
LMF Connector Part Number Index	<u>42</u>
LMG Connector Part Number Index	<u>43</u>
Product Safety Information.....	<u>44</u>

About Weald Electronics

Weald Electronics is a leading U.K. manufacturer of electronic and electrical connectors for military and industrial interconnection applications.

We offer a wide selection of circular bayonet coupling and screw coupling power connectors, filtered circular connectors and cable connectors in a wide choice of materials and finishes, with specialist ranges suited to the most demanding environments including mining & marine applications.

Customers may specify from a wide range of shell sizes, styles, plug and socket contact types and contact arrangements. Double sided bulkhead versions of our connectors are available and thermocouple contacts can be fitted on request.

Product Availability

Weald Electronics connectors are available through our sole worldwide distributors Lane Electronics.

Lane Electronics is a franchised distributor for Huber+Suhner, Eaton, ITWMcMurdo Connectors, Lemo, Glenair, AVX, Neutrik, Nicomatic, Positronic and HellermannTyton. Product types stocked include aerospace, coaxial, RF, audio, MIL-DTL-38999, MIL-DTL-26482, MIL-DTL-5015, DIN 41612, PCB, D type and back shells. This also includes Souriau's MIL-DTL-38999 Elio fibre optic, miniature and naval bronze connector types.

For all enquiries on price and availability, please contact Lane Electronics:

Phone: +44 (0)1403 790 661 - Direct line to the sales department.

Fax: +44 (0)1403 790 849

Email: sales@fclane.com



LMF / LMG RANGE

RANGES OF CONNECTORS

'LMF' and 'LMG' Connectors have a medium to low density range of contact arrangements, using from 1 to 26 contacts, housed in a range of shell styles, within 3 shell sizes.

Shell Size 1.....Small

Shell Size 2.....Medium

Shell Size 3.....Large

Both ranges of connectors are suitable for use in exposed environments to the limits as detailed in specifications:

'LMF' to LMF/3/1

'LMG' to BS 9522:F0014

There are two types within these connector ranges:

- a) Aluminium with fine thread coupling, suitable for light-weight use.**
- b) Brass with coarse thread coupling, suitable for more rugged applications.**

The '*LMF*' RANGE, formerly known as MK4, is the forerunner of these ranges, and has a temperature category of -40°C to +85°C, with a limited environmental capability. Additional to the standard range of shell styles are *Bulkhead Connectors* which will accept the full range of insert arrangements, and additional to insert arrangements are *Concentric Connectors* which are for single core high voltage applications.

The '*LMG*' RANGE, formerly MK7 (Patt.104), is an update on the LMF range and has a more comprehensive environmental performance. Standard inserts are polychloroprene and the temperature range is -55°C to +100°C. For more demanding applications the fluorinated silicone rubber* may be selected for insulators and the temperature range extends to -55°C to +150°C. 'LMG' range does not include Bulkhead or Concentric style connectors.

Should the occasion demand, 'LMF' and 'LMG' connectors are intermateable within their respective styles and types. In this instance performance will be controlled by 'LMF' capability.

The full range of accessories outlined in the accessories section can be used on these connector ranges.

Aluminium accessories can be used on brass connectors but in certain hostile environments, e.g. Mines and Petrochemical areas, the use of aluminium is undesirable, therefore, care must be taken when ordering.

* - High temperature version available to special order. Please contact Sales for more details.

HOW TO USE LMF / LMG CATALOGUES

The sealing efficiency of outlets used with LMF and LMG Plugs and Sockets is entirely dependent upon the selection of the correct sequence and size of outlet ancillary fittings applicable to a particular type and size of cable.

- 1. Select relevant plug or socket from catalogue range pages 15 - 35**
- 2. Refer to accessories catalogue pages 4 - 6 to select the correct accessory to suit shell & cable size of your connector.**
- 3. Recommended wiring methods see accessories catalogue pages 13 - 15**
- 4. For protective caps see accessories catalogue pages 7 - 9**

All contacts supplied with connectors are silver plated. To specify gold-plated contacts replace penultimate digit of connector part number with the figure 1. (e.g. /320 silver contacts /310 gold contacts)

DIMENSIONS

All dimensions with the exception of Imperial threads are in millimetres and are nominal. They are derived from original Imperial dimensions.

LMF RANGE

ALUMINIUM AND BRASS CIRCULAR CONNECTORS

The LMF range consists of multi-contact circular connectors with fine and coarse thread couplings and non-removable solder contacts for DC and low-frequency applications. Configuration of contacts varies from 1 to 25. All fixed connectors are barrier and panel sealed. Free connectors are environmentally resistant.

Polarisation is effected by a single arrangement of housing (shell) keys and keyways with six different angular dispositions of the insert. These are designated 0, 1, 2, 3, 4 and 5. The polarisation availability for each connector is shown on the appropriate connector page (note: This is not applicable to concentrics).

Housing (shell) materials are aluminium alloy (with fine coupling threads) and brass (with coarse coupling threads).

The standard finish for aluminium is clean (natural/unplated) and the standard finish for brass is cadmium plate and passivate.

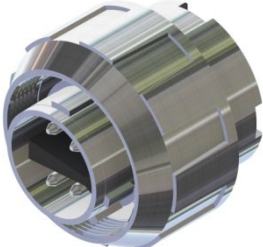
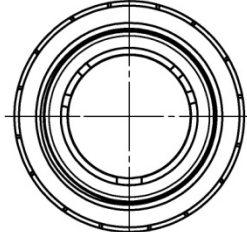
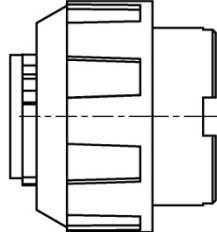

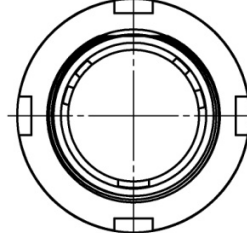
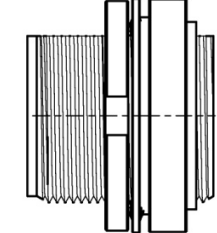

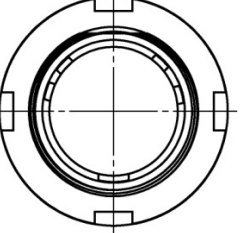
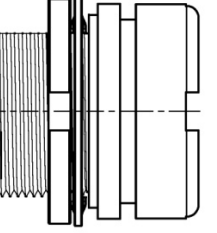

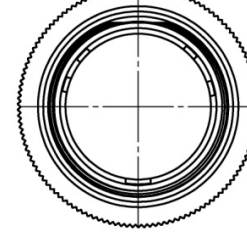
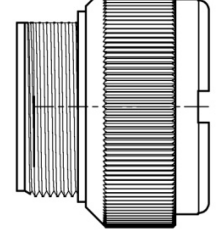

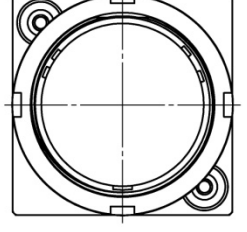
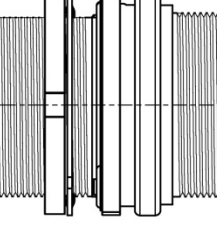
Accessories are available in aluminium alloy and brass. The standard finish is as for connectors.

Thermocouple connectors are available with alumel and chromel / brass and constantan contacts (part numbers on request).


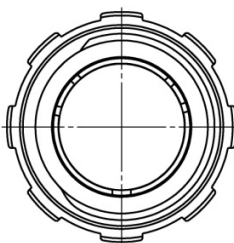
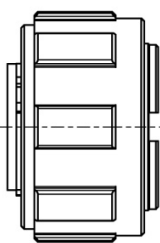

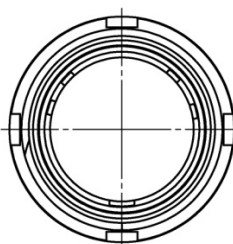
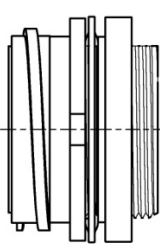
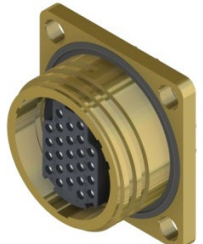
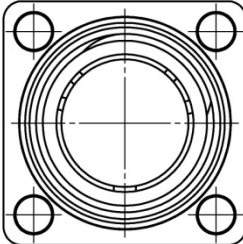
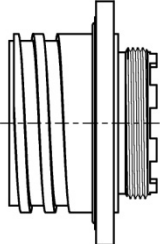

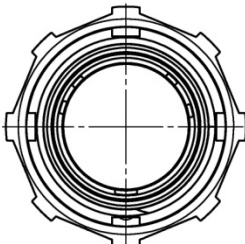
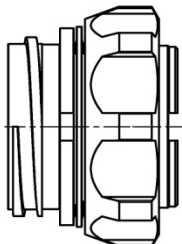

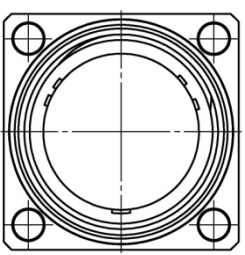
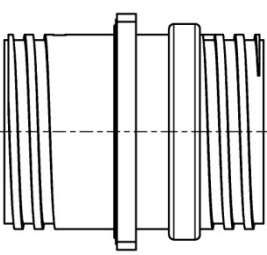
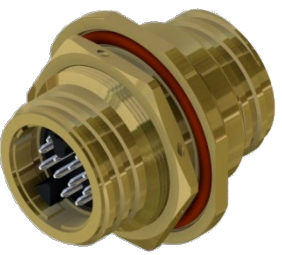
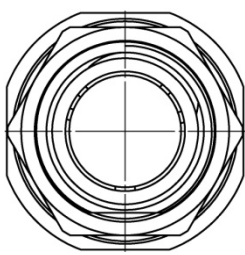
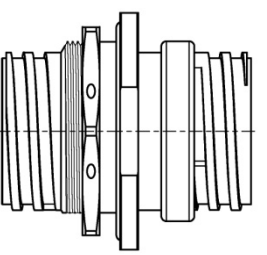
The standard contact finish is silver plate.



**LMF RANGE
SHELL STYLES
ALUMINIUM CONNECTORS WITH FINE THREAD**

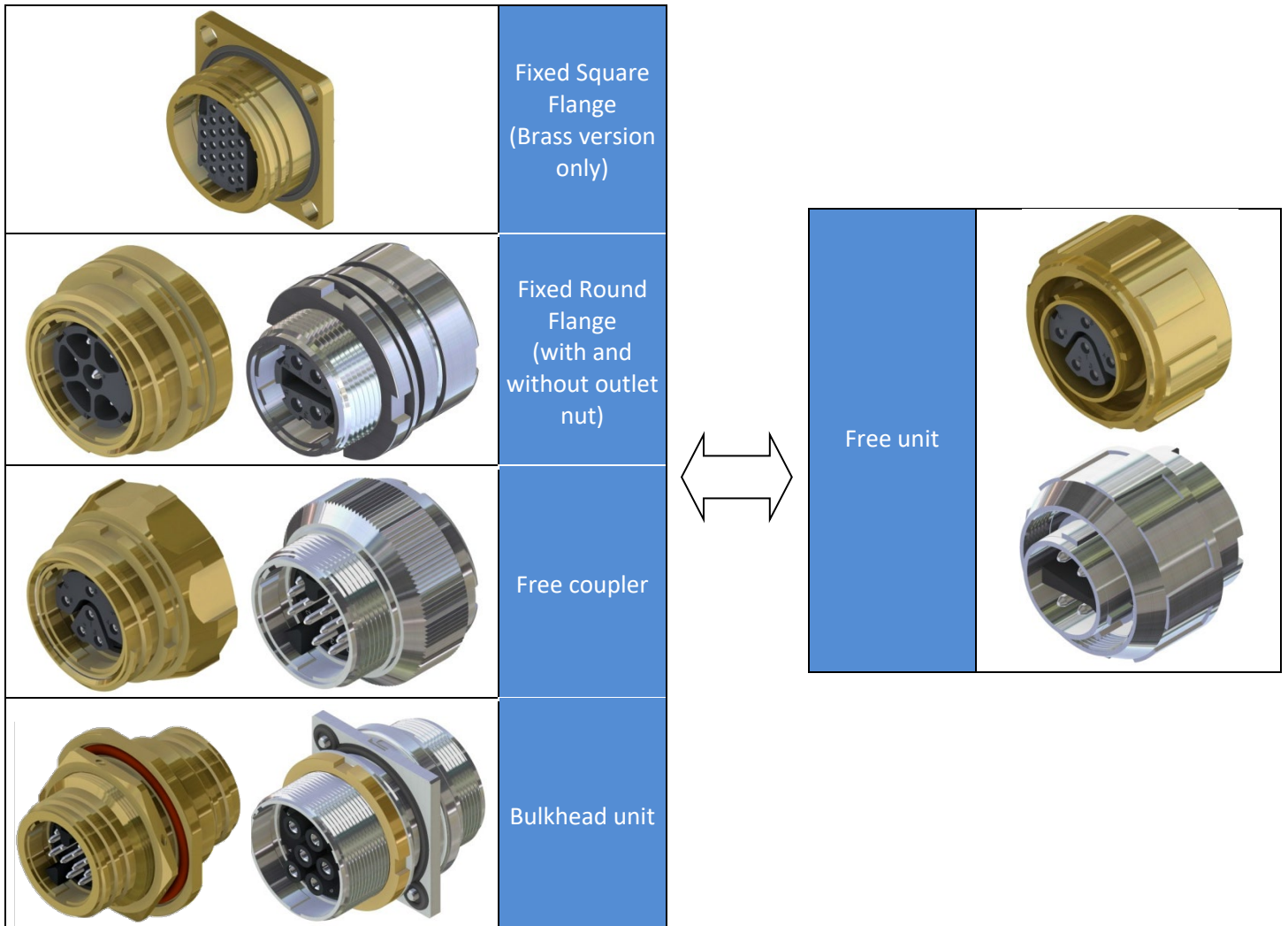
<p>FREE UNIT A free plug or socket is wired to a cable as a means of connecting the cable to mating components. Outlet nuts are supplied with these items.</p>				<p>Mates with: Fixed unit Free coupler Bulkhead unit</p>
<p>FIXED UNIT A fixed plug or socket - for single hole mounting - with no facility for the use of cable fittings.</p>				<p>Mates with: Free unit</p>
<p>FIXED UNIT WITH OUTLET NUT A fixed plug or socket - single hole mounting with the facility for the use of cable fittings.</p>				<p>Mates with: Free unit</p>
<p>FREE COUPLER UNIT A free coupler plug or socket is wired to a cable as a means of connecting two free cables.</p>				<p>Mates with: Free unit</p>
<p>BULKHEAD CONNECTOR A climatic proof pressurised bulkhead connector is used to permit a complete break in a cable passing through a bulkhead. It has male contacts one end and female contacts the other. The bulkhead plug/socket has the plug moulding on the flange side of the bulkhead; the socket/plug has the socket moulding on the flange side of the bulkhead.</p>				<p>Mates with: Free unit</p>

**LMF RANGE
SHELL STYLES
BRASS CONNECTORS WITH COARSE THREAD**

<p>FREE UNIT A free plug or socket is wired to a cable as a means of connecting the cable to mating components. Outlet nuts are supplied with these items.</p>				<p>Mates with: Fixed unit Free coupler Bulkhead unit</p>
<p>FIXED UNIT A fixed plug or socket - for single hole mounting - with no facility for the use of cable fittings. Mates with free plug or socket only.</p>				<p>Mates with: Free unit</p>
<p>FIXED UNIT SQUARE FLANGE A fixed plug or socket - four corner hole mounting with the facility for the use of cable fittings.</p>				<p>Mates with: Free unit</p>
<p>FREE COUPLER UNIT A free coupler plug or socket is wired to a cable as a means of connecting two free cables.</p>				<p>Mates with: Free unit</p>
<p>BULKHEAD CONNECTOR A climatic proof pressurised bulkhead connector is used to permit a complete break in a cable passing through a bulkhead. It has male contacts one end and female contacts the other. The bulkhead plug/socket has the plug moulding on the flange side of the bulkhead; the socket/plug has the socket moulding on the flange side of the bulkhead.</p>				<p>Mates with: Free unit</p>
<p>BULKHEAD CONNECTOR FOR SINGLE HOLE MOUNTING * Special version of bulkhead connector with a single fixing hole, secured in place by a specially designed jam nut.</p>				<p>Mates with: Free unit</p>

* - Available to special order

LMF RANGE
MATING COMBINATIONS AND ORIENTATION



All LMF connectors can be supplied with male and female contacts/mouldings and can be mated in combinations as shown above. The complete range of LMF Plugs and Sockets is catalogued on pages 8 to 25, and all units with the same contact arrangement are shown grouped together in order of number of contacts.

The diagram above each group shows the plug pin arrangement, the contact coding and moulding characteristics of the mating face of a plug. All coding of sockets is reversed, i.e. a mirror image of the plug coding

A feature of LMF plugs and sockets is that the internal moulding carrying the contacts may be located in any one of six radial positions relative to the major keyway in the outer shell (see diagrams at the side of each group, pages 15 to 35). This facility eliminates the possibility of mismatching adjacent plugs and sockets of the same contact arrangement. The sixth position is known as 'neutral' (shown in all diagrams as orientation position 0). Unless otherwise stated when ordering, all plugs and sockets will be supplied in the neutral position. Orientated units are identified by replacing the last digit of the part number of the neutral unit with a position number. The last digit for neutral units is always 0. Only orientations of the same suffix number can be mated together.

Attention is drawn to the 3 contact 5 amp range of plugs and sockets in which only positions 0 and 5 are available as orientation variations.

LMF RANGE CHARACTERISTICS

ALUMINIUM VERSION (FINE THREAD) CONNECTORS

Temperature range	-40° to +85°C					
Maximum altitude	20117 metres					
Number of Contacts	1, 2, 3, 4, 5, 6, 9, 12, 13, 18, 25					
Maximum current rating per individual contact at 70°C	5-60 amps dependent on contact size					
Contact finish	Silver plated (standard)					
Contact Solder Bucket	Rating	5 amp	12 amp	19 amp	35 amp	60 amp
	Inside dia.	1.50 mm	2.00 mm	2.75 mm	3.70 mm	5.00 mm
Working Voltage: DC or AC (Peak)	250 volts at sea level (normal contacts) 1500 and 2500 volts (high voltage contacts)					
Polarization	By housing (Shell) keys and keyways and by insert orientation					
Dielectric material	Bakelite					
Dielectric construction	Sandwich					
Sealing	FREE CONNECTORS - Environmentally resistant FIXED CONNECTORS - Barrier and panel sealed. Max leakage 1 cc/hr at pressure differential of 1 Bar					
Housing material	Aluminium Alloy					

BRASS VERSION (COARSE THREAD) CONNECTORS

Temperature range	-40° to +85°C					
Maximum altitude	8474 metres					
Number of Contacts	1, 2, 3, 4, 5, 6, 9, 12, 13, 18, 25					
Maximum current rating per individual contact at 70°C	5-60 amps dependent on contact size					
Contact finish	Silver plated (standard)					
Contact Solder Bucket	Rating	5 amp	12 amp	19 amp	35 amp	60 amp
	Inside dia.	1.50 mm	2.00 mm	2.75 mm	3.70 mm	5.00 mm
Working Voltage: DC or AC (Peak)	250 volts at sea level (normal contacts) 1500 and 2500 volts (high voltage contacts)					
Polarization	By housing (Shell) keys and keyways and by insert orientation					
Dielectric material	Bakelite					
Dielectric construction	Sandwich					
Sealing	FREE CONNECTORS - Environmentally resistant FIXED CONNECTORS - Barrier and panel sealed. Max leakage 1 cc/hr at pressure differential of 1 Bar					
Housing material	Brass					

APPLICATION – TYPICAL

Suitable for cable to panel connections in an exposed environment.
Aluminium, fine thread is for lightweight use.
Brass, coarse thread is used for heavy duty and in rugged conditions.

SPECIFICATION

LMF/3/1

LMG RANGE ALUMINIUM AND BRASS CIRCULAR CONNECTORS

The LMG range consists of multi-contact circular connectors with fine and coarse thread couplings and non-removable solder contacts for DC and low-frequency applications. All fixed connectors are barrier and panel sealed. Free connectors are environmentally resistant.

Polarization is effected by a single arrangement of housing (shell) keys and keyways with six different angular dispositions of the insert; these are designated 0, 1, 2, 3, 4 and 5. The polarization availability for each connector is shown on the appropriate connector page.

Housing (shell) materials are aluminium alloy (with fine coupling threads) and brass (with coarse coupling threads.) The standard finish for both materials is drab olive chromate conversion over cadmium plate.

Accessories are available in aluminium alloy and brass. The standard finish for both materials is as for connectors.


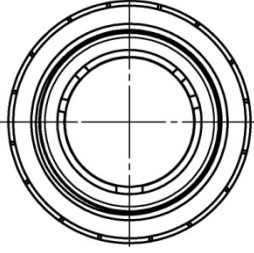
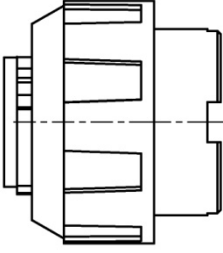

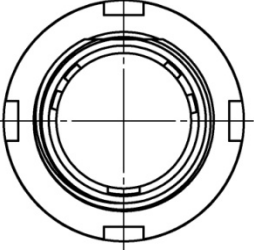
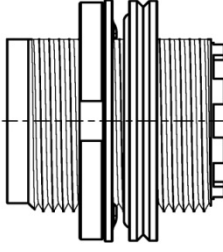

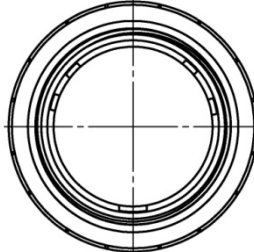
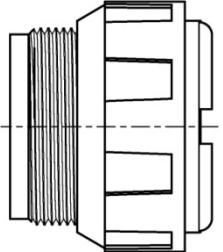
The standard contact finish is silver plate.

LMG Range is manufactured in accordance with BS 9522 F0014.




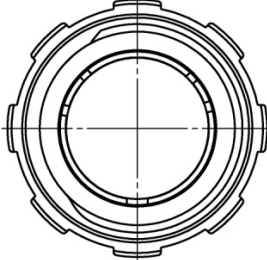
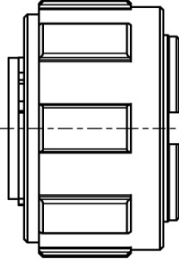

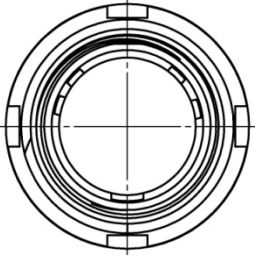
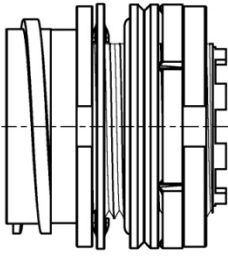

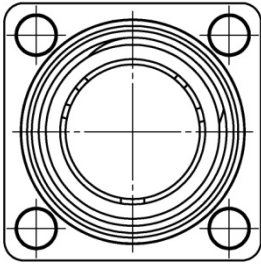
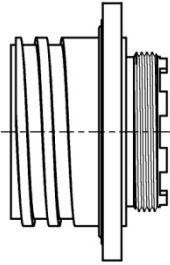

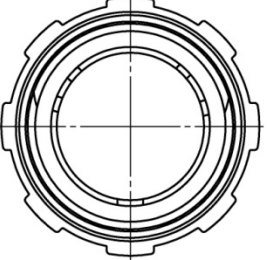
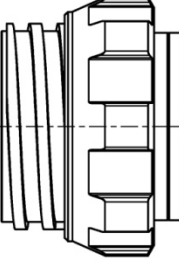
**LMG RANGE
SHELL STYLES**

ALUMINIUM CONNECTORS WITH FINE THREAD

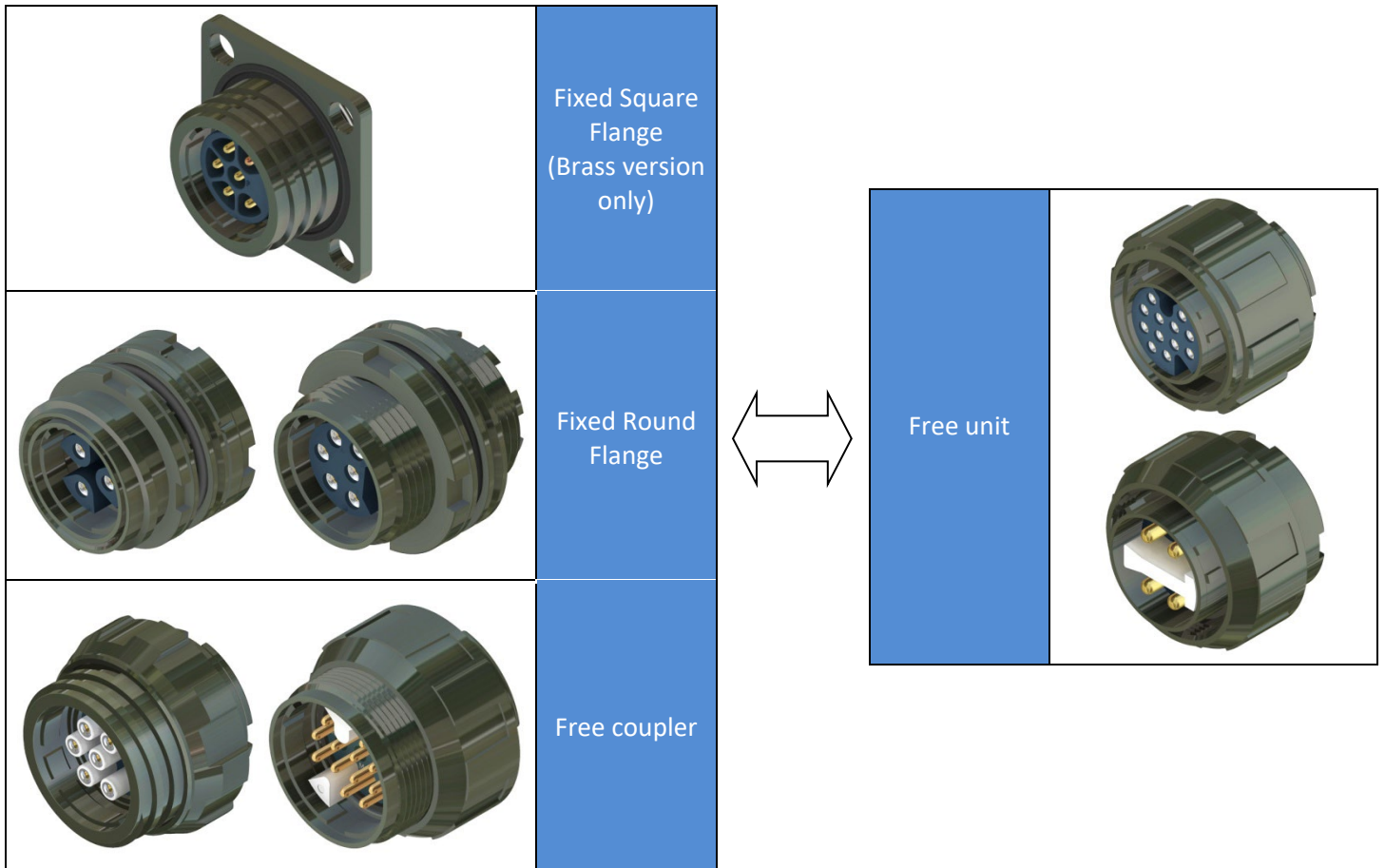
<p>FREE UNIT A free plug or socket is wired to a cable as a means of connecting the cable to mating components. Outlet nuts are supplied with these items.</p>				<p>Mates with: Fixed unit Free coupler</p>
<p>FIXED UNIT A fixed plug or socket - for single hole mounting - with no facility for the use of cable fittings. When these are required an outlet nut must be specified as an additional item.</p>				<p>Mates with: Free unit</p>
<p>FREE COUPLER UNIT A free coupler plug or socket is used as a means of connecting two free cables and mates with the free plug or socket only. Outlet nuts are supplied with these connectors.</p>				<p>Mates with: Free unit</p>

**LMG RANGE
SHELL STYLES**

BRASS CONNECTORS WITH COARSE THREAD

<p>FREE UNIT A free plug or socket is wired to a cable as a means of connecting the cable to mating components. Outlet nuts are supplied with these items.</p>				<p>Mates with: Fixed unit Free coupler</p>
<p>FIXED UNIT (Round Flange) A fixed plug or socket - for single hole mounting - with no facility for the use of cable fittings. When these are required an outlet nut must be specified as an additional item.</p>				<p>Mates with: Free unit</p>
<p>FIXED UNIT (Square Flange) A fixed plug or socket - four corner hole mounting (available only in brass) - with the facility to accept cable fittings. When these are required an outlet nut must be specified as an additional item.</p>				<p>Mates with: Free unit</p>
<p>FREE COUPLER UNIT A free coupler plug or socket is used as a means of connecting two free cables and mates with the free plug or socket only. Outlet nuts are supplied with these connectors.</p>				<p>Mates with: Free unit</p>

LMG RANGE
MATING COMBINATIONS AND ORIENTATION



All LMG connectors can be supplied with male and female contacts/mouldings and can be mated in combinations as shown above. The complete range of LMG Plugs and Sockets is catalogued on pages 16 to 35, and all units with the same contact arrangement are shown grouped together in order of number of contacts.

The diagram above each group shows the plug pin arrangement, the contact coding and moulding characteristics of the mating face of a plug. All coding of sockets is reversed, i.e. a mirror image of the plug coding

A feature of LMG plugs and sockets is that the internal moulding carrying the contacts may be located in any one of six radial positions relative to the major keyway in the outer shell (see diagrams at the side of each group). This facility eliminates the possibility of mismatching adjacent plugs and sockets of the same contact arrangement. The sixth position is known as 'neutral' (shown in all diagrams as orientation position 0). Unless otherwise stated when ordering, all plugs and sockets will be supplied in the neutral position. Orientated units are identified by replacing the last digit of the part number of the neutral unit with a position number. The last digit for neutral units is always 0. Only orientations of the same suffix number can be mated together.

Attention is drawn to the 3 contact 5 amp range of plugs and sockets in which only positions 0 and 5 are available as orientation variations.

LMG RANGE CHARACTERISTICS

ALUMINIUM VERSION (FINE THREAD) CONNECTORS

Temperature range	-55° to +100°C (-55° to +150°C for high temperature version)*						
Maximum altitude	20117 metres						
Number of Contacts	2, 3, 4, 5, 6, 9, 12, 13, 18, 25						
Maximum current rating per individual contact at 70°C	3-60 amps dependent on contact size						
Contact finish	Silver plated (standard)						
Contact Solder Bucket	Rating	3 amp	5 amp	12 amp	19 amp	35 amp	60 amp
	Inside dia.	1.05 mm	1.50 mm	2.00 mm	2.75 mm	3.70 mm	5.00 mm
Working Voltage: DC or AC (Peak)	500 volts at sea level (normal contacts) 1500 and 2500 volts (high voltage contacts)						
Polarization	By housing (Shell) keys and keyways and by insert orientation						
Dielectric material	Polychloroprene (Fluorosilicone rubber - high temperature version)*						
Dielectric construction	Monobloc						
Sealing	FREE CONNECTORS - Environmentally resistant FIXED CONNECTORS - Barrier and panel sealed. Max leakage 1 cc/hr at pressure differential of 1 Bar						
Housing material	Aluminium Alloy						

BRASS VERSION (COARSE THREAD) CONNECTORS

Temperature range	-55° to +100°C (-55° to +150°C for high temperature version)*						
Maximum altitude	8474 metres						
Number of Contacts	2, 3, 4, 5, 6, 9, 12, 13, 18, 25, 37						
Maximum current rating per individual contact at 70°C	3-60 amps dependent on contact size						
Contact finish	Silver plated (standard)						
Contact Solder Bucket	Rating	3 amp	5 amp	12 amp	19 amp	35 amp	60 amp
	Inside dia.	1.05 mm	1.50 mm	2.00 mm	2.75 mm	3.70 mm	5.00 mm
Working Voltage: DC or AC (Peak)	500 volts at sea level (normal contacts) 1500 and 2500 volts (high voltage contacts)						
Polarization	By housing (Shell) keys and keyways and by insert orientation						
Dielectric material	Polychloroprene (Fluorosilicone rubber - high temperature version)*						
Dielectric construction	Monobloc						
Sealing	FREE CONNECTORS - Environmentally resistant FIXED CONNECTORS - Barrier and panel sealed. Max leakage 1 cc/hr at pressure differential of 1 Bar						
Housing material	Brass						

* - High temperature version available to special order. Please contact Sales for more details.

APPLICATION – TYPICAL

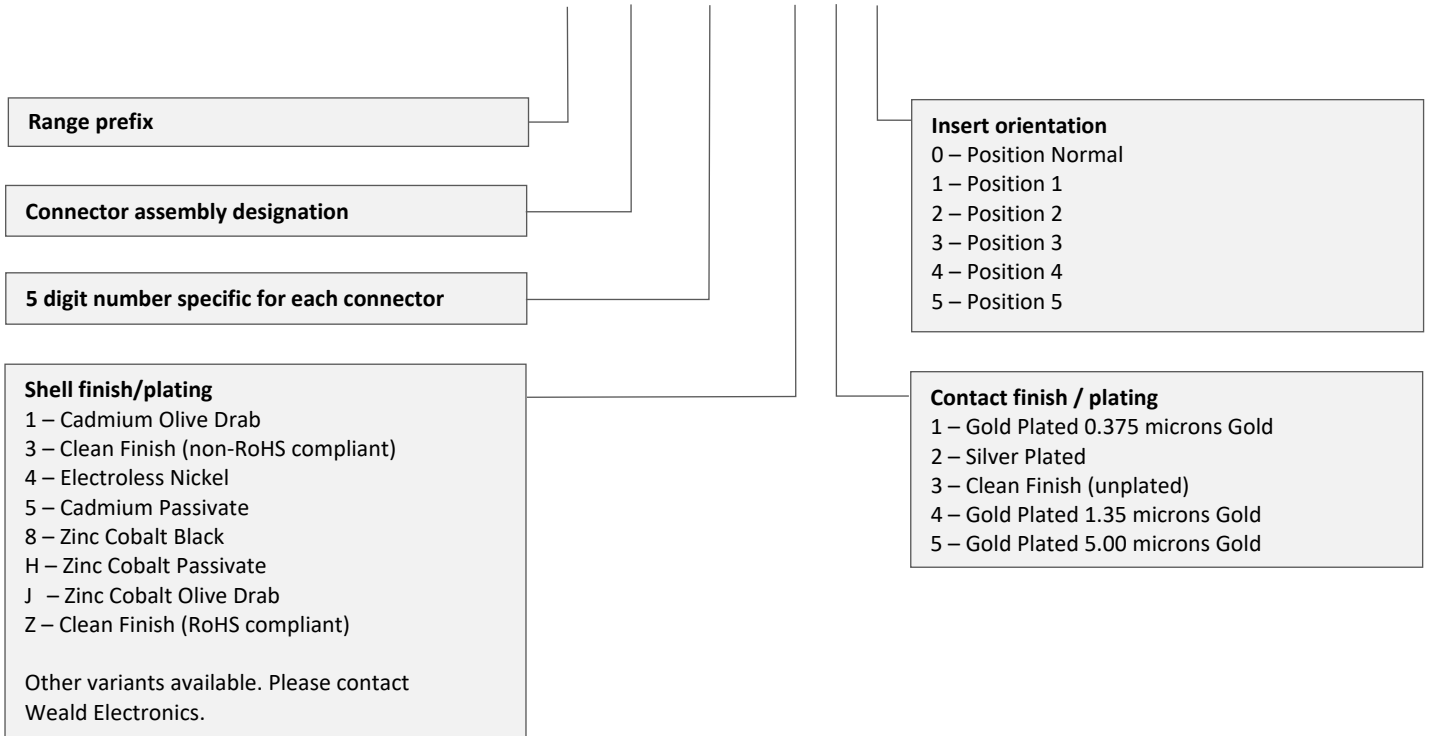
Suitable for cable to panel connections in an exposed environment.
Aluminium, fine thread is for lightweight use.
Brass, coarse thread is used for heavy duty and in rugged conditions.

SPECIFICATION

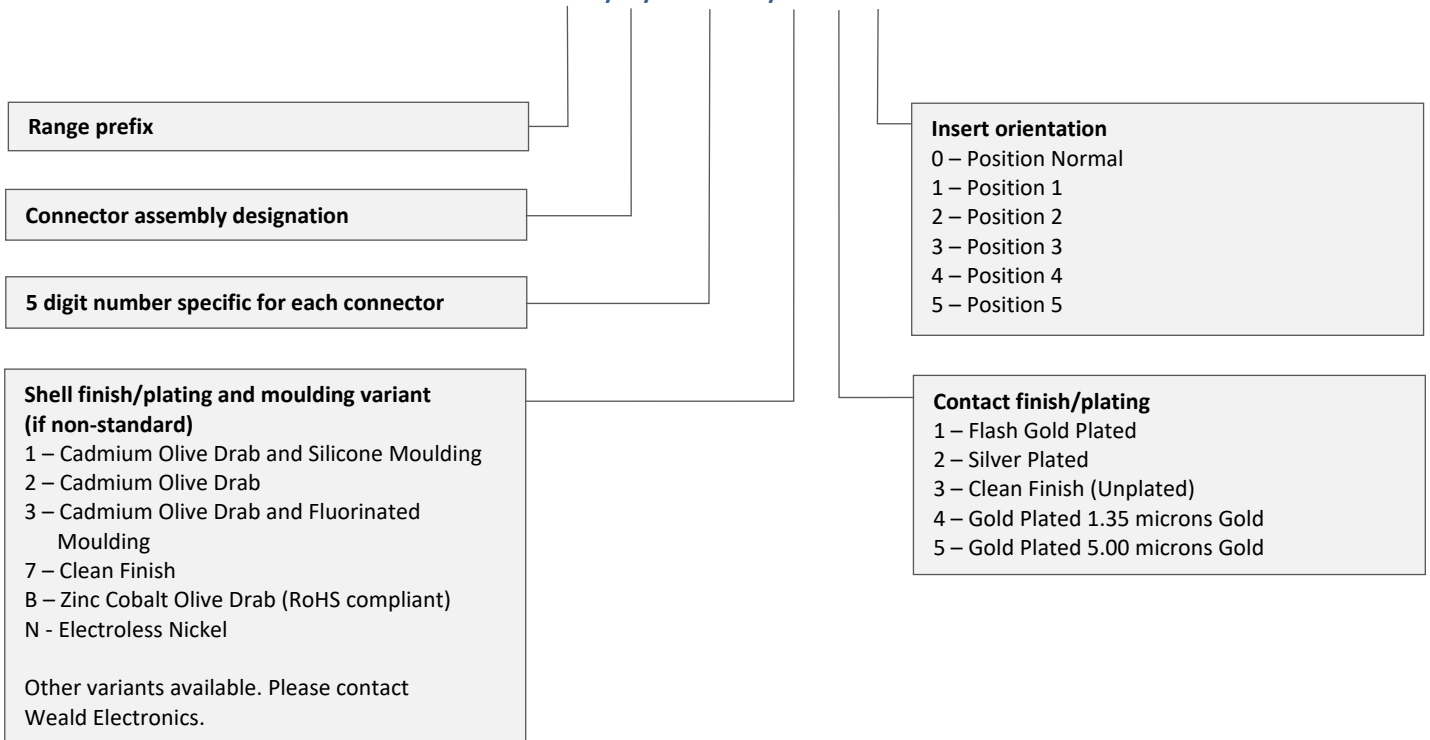
LMG connectors (formerly MOD pattern 104) are manufactured in accordance with BS 9522 F0014.

LMF / LMG RANGE CONNECTOR ORDERING INFORMATION

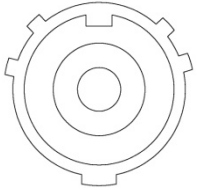
LMF RANGE EXAMPLE LMF/1/40020/3 2 0



LMG RANGE EXAMPLE LMG/1/07023/2 2 0



**LMF RANGE
SHELL SIZE 1
1 contact 2,5 kV, D.C. or A.C. peak**

PLUG FACE ORIENTATION	0	1	2	3	4	5
LMF RANGE		N/A	N/A	N/A	N/A	N/A

CONNECTOR STYLE	ALUMINIUM	BRASS
	LMF Part No.	LMF Part No.
Free Plug	LMF/1/41221	LMF/1/41252
Free Socket	LMF/1/41225	LMF/1/41255
Fixed Plug (Round Flange)	LMF/1/41218	LMF/1/41250
Fixed Socket (Round Flange)	LMF/1/41222	LMF/1/41253
Fixed Plug (Round Flange with Outlet Nut)	LMF/1/41219	N/A
Fixed Socket (Round Flange With Outlet Nut)	LMF/1/41223	N/A
Fixed Plug (Square Flange)	N/A	LMF/1/41251
Fixed Socket (Square Flange)	N/A	LMF/1/41254
Free Coupler Plug	LMF/1/41220	LMF/1/41260
Free Coupler Socket	LMF/1/41224	LMF/1/41261
Bulkhead Plug/Socket	LMF/1/41226	LMF/1/41256
Bulkhead Socket/Plug	LMF/1/41227	LMF/1/41257

**IMPORTANT
APPLICABLE TO THIS RANGE ONLY**

Concentric Circular Connectors
 Impedance: Unmatched coupling of coaxial cables only
 Dielectric: Polythene
 Temperature: - 40°C to + 70°C
 Cables: Will accept Uniradio 39 or 67 and cables of similar size
 Mating combinations – refer to [page 7](#)

LMF / LMG RANGE
SHELL SIZE 1
2 contacts 19 amps

PLUG FACE ORIENTATION	0	1	2	3	4	5
LMF RANGE 250 volts D.C. or A.C. peak						
LMG RANGE 500 volts D.C. or A.C. peak						

CONNECTOR STYLE	ALUMINIUM		BRASS	
	LMF Part No.	LMG Part No.	LMF Part No.	LMG Part No.
Free Plug	LMF/1/40020/320	LMG/1/07020/220	LMF/1/40220/520	LMG/1/07220/220
Free Socket	LMF/1/40000/320	LMG/1/07000/220	LMF/1/40200/520	LMG/1/07200/220
Fixed Plug (Round Flange)	LMF/1/40060/320	LMG/1/07060/220	LMF/1/40260/520	LMG/1/07340/220
Fixed Socket (Round Flange)	LMF/1/40040/320	LMG/1/07040/220	LMF/1/40240/520	LMG/1/07320/220
Fixed Plug (Round Flange with Outlet Nut)	LMF/1/40140/320	N/A	N/A	N/A
Fixed Socket (Round Flange With Outlet Nut)	LMF/1/40120/320	N/A	N/A	N/A
Fixed Plug (Square Flange)	N/A	N/A	LMF/1/40340/520	LMG/1/07260/220
Fixed Socket (Square Flange)	N/A	N/A	LMF/1/40320/520	LMG/1/07240/220
Free Coupler Plug	LMF/1/40100/320	LMG/1/07100/220	LMF/1/40300/520	LMG/1/07300/220
Free Coupler Socket	LMF/1/40080/320	LMG/1/07080/220	LMF/1/40280/520	LMG/1/07280/220
Bulkhead Plug/Socket	LMF/1/30180/320	N/A	LMF/1/40380/520	N/A
Bulkhead Socket/Plug	LMF/1/40160/320	N/A	LMF/1/40360/520	N/A

IMPORTANT

Only shell size 1 codes a & b accessories may be used with these connectors.
Mating combinations – refer to [page 7](#) (for LMF) or [page 12](#) (for LMG).
To specify orientation versions replace last digit with digit of relevant position number,
e.g. LMF/1/40020/325 = ORIENTATION POSITION 5

LMF / LMG RANGE
SHELL SIZE 2
2 contacts 35 amps

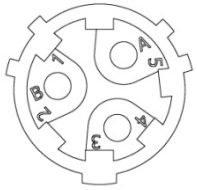
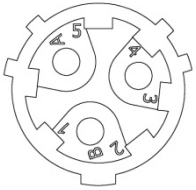
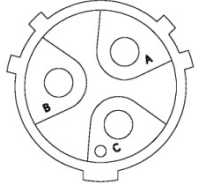
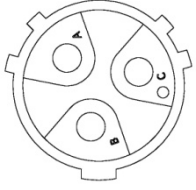
PLUG FACE ORIENTATION	0	1	2	3	4	5
LMF RANGE 250 volts D.C. or A.C. peak						
LMG RANGE 500 volts D.C. or A.C. peak						

CONNECTOR STYLE	ALUMINIUM		BRASS	
	LMF Part No.	LMG Part No.	LMF Part No.	LMG Part No.
Free Plug	LMF/1/40024/320	LMG/1/07024/220	LMF/1/40224/520	LMG/1/07224/220
Free Socket	LMF/1/40004/320	LMG/1/07004/220	LMF/1/40204/520	LMG/1/07204/220
Fixed Plug (Round Flange)	LMF/1/40064/320	LMG/1/07064/220	LMF/1/40264/520	LMG/1/07344/220
Fixed Socket (Round Flange)	LMF/1/40044/320	LMG/1/07044/220	LMF/1/40244/520	LMG/1/07324/220
Fixed Plug (Round Flange with Outlet Nut)	LMF/1/40144/320	N/A	N/A	N/A
Fixed Socket (Round Flange With Outlet Nut)	LMF/1/40124/320	N/A	N/A	N/A
Fixed Plug (Square Flange)	N/A	N/A	LMF/1/40344/520	LMG/1/07264/220
Fixed Socket (Square Flange)	N/A	N/A	LMF/1/40324/520	LMG/1/07244/220
Free Coupler Plug	LMF/1/40104/320	LMG/1/07104/220	LMF/1/40304/520	LMG/1/07304/220
Free Coupler Socket	LMF/1/40084/320	LMG/1/07084/220	LMF/1/40284/520	LMG/1/07284/220
Bulkhead Plug/Socket	N/A	N/A	N/A	N/A
Bulkhead Socket/Plug	N/A	N/A	N/A	N/A

IMPORTANT

Only shell size 2 codes c, d, e & f accessories may be used with these connectors.
Mating combinations – refer to [page 7](#) (for LMF) or [page 12](#) (for LMG).
To specify orientation versions replace last digit with digit of relevant position number,
e.g. LMF/1/40024/325 = ORIENTATION POSITION 5

**LMF / LMG RANGE
SHELL SIZE 1
3 contacts 5 amps**

PLUG FACE ORIENTATION	0	1	2	3	4	5
LMF RANGE 250 volts D.C. or A.C. peak		N/A	N/A	N/A	N/A	
LMG RANGE 500 volts D.C. or A.C. peak		N/A	N/A	N/A	N/A	

CONNECTOR STYLE	ALUMINIUM		BRASS	
	LMF Part No.	LMG Part No.	LMF Part No.	LMG Part No.
Free Plug	LMF/1/40021/320	LMG/1/07021/220	LMF/1/40221/520	LMG/1/07221/220
Free Socket	LMF/1/40001/320	LMG/1/07001/220	LMF/1/40201/520	LMG/1/07201/220
Fixed Plug (Round Flange)	LMF/1/40061/320	LMG/1/07061/220	LMF/1/40261/520	LMG/1/07341/220
Fixed Socket (Round Flange)	LMF/1/40041/320	LMG/1/07041/220	LMF/1/40241/520	LMG/1/07321/220
Fixed Plug (Round Flange with Outlet Nut)	LMF/1/40141/320	N/A	N/A	N/A
Fixed Socket (Round Flange With Outlet Nut)	LMF/1/40121/320	N/A	N/A	N/A
Fixed Plug (Square Flange)	N/A	N/A	LMF/1/40341/520	LMG/1/07261/220
Fixed Socket (Square Flange)	N/A	N/A	LMF/1/40321/520	LMG/1/07241/220
Free Coupler Plug	LMF/1/40101/320	LMG/1/07101/220	LMF/1/40301/520	LMG/1/07301/220
Free Coupler Socket	LMF/1/40081/320	LMG/1/07081/220	LMF/1/40281/520	LMG/1/07281/220
Bulkhead Plug/Socket	LMF/1/40181/320	N/A	LMF/1/40381/520	N/A
Bulkhead Socket/Plug	LMF/1/40161/320	N/A	LMF/1/40361/520	N/A

IMPORTANT

Only shell size 1 codes a & b Accessories may be used with these connectors.
Mating combinations – refer to [page 7](#) (for LMF) or [page 12](#) (for LMG).
To specify orientation versions replace last digit with digit of relevant position number,
e.g. LMF/1/40021/325 = ORIENTATION POSITION 5

LMF / LMG RANGE
SHELL SIZE 2
3 contacts 19 amps

PLUG FACE ORIENTATION	0	1	2	3	4	5
LMF RANGE 1.5 kV D.C. or A.C. peak						
LMG RANGE 1.5 kV D.C. or A.C. peak						

CONNECTOR STYLE	ALUMINIUM		BRASS	
	LMF Part No.	LMG Part No.	LMF Part No.	LMG Part No.
Free Plug	LMF/1/40025/320	LMG/1/07025/220	LMF/1/40225/520	LMG/1/07225/220
Free Socket	LMF/1/40005/320	LMG/1/07005/220	LMF/1/40205/520	LMG/1/07205/220
Fixed Plug (Round Flange)	LMF/1/40065/320	LMG/1/07065/220	LMF/1/40265/520	LMG/1/07345/220
Fixed Socket (Round Flange)	LMF/1/40045/320	LMG/1/07045/220	LMF/1/40245/520	LMG/1/07325/220
Fixed Plug (Round Flange with Outlet Nut)	LMF/1/40145/320	N/A	N/A	N/A
Fixed Socket (Round Flange With Outlet Nut)	LMF/1/40125/320	N/A	N/A	N/A
Fixed Plug (Square Flange)	N/A	N/A	LMF/1/40345/520	LMG/1/07265/220
Fixed Socket (Square Flange)	N/A	N/A	LMF/1/40325/520	LMG/1/07245/220
Free Coupler Plug	LMF/1/40105/320	LMG/1/07105/220	LMF/1/40305/520	LMG/1/07305/220
Free Coupler Socket	LMF/1/40085/320	LMG/1/07085/220	LMF/1/40285/520	LMG/1/07285/220
Bulkhead Plug/Socket	N/A	N/A	N/A	N/A
Bulkhead Socket/Plug	N/A	N/A	N/A	N/A

IMPORTANT

Only shell size 2 codes c, d, e & f accessories may be used with these connectors.
Mating combinations – refer to [page 7](#) (for LMF) or [page 12](#) (for LMG).
To specify orientation versions replace last digit with digit of relevant position number,
e.g. LMF/1/40025/325 = ORIENTATION POSITION 5

LMF / LMG RANGE SHELL SIZE 1 4 contacts 5 amps

PLUG FACE ORIENTATION	0	1	2	3	4	5
LMF RANGE 250 volts D.C. or A.C. peak						
LMG RANGE 500 volts D.C. or A.C. peak						

CONNECTOR STYLE	ALUMINIUM		BRASS	
	LMF Part No.	LMG Part No.	LMF Part No.	LMG Part No.
Free Plug	LMF/1/40022/320	LMG/1/07022/220	LMF/1/40222/520	LMG/1/07222/220
Free Socket	LMF/1/40002/320	LMG/1/07002/220	LMF/1/40202/520	LMG/1/07202/220
Fixed Plug (Round Flange)	LMF/1/40062/320	LMG/1/07062/220	LMF/1/40262/520	LMG/1/07342/220
Fixed Socket (Round Flange)	LMF/1/40042/320	LMG/1/07042/220	LMF/1/40242/520	LMG/1/07322/220
Fixed Plug (Round Flange with Outlet Nut)	LMF/1/40142/320	N/A	N/A	N/A
Fixed Socket (Round Flange With Outlet Nut)	LMF/1/40122/320	N/A	N/A	N/A
Fixed Plug (Square Flange)	N/A	N/A	LMF/1/40342/520	LMG/1/07262/220
Fixed Socket (Square Flange)	N/A	N/A	LMF/1/40322/520	LMG/1/07242/220
Free Coupler Plug	LMF/1/40102/320	LMG/1/07102/220	LMF/1/40302/520	LMG/1/07302/220
Free Coupler Socket	LMF/1/40082/320	LMG/1/07082/220	LMF/1/40282/520	LMG/1/07282/220
Bulkhead Plug/Socket	LMF/1/40182/320	N/A	LMF/1/40382/520	N/A
Bulkhead Socket/Plug	LMF/1/40162/320	N/A	LMF/1/40362/520	N/A

IMPORTANT

Only shell size 1 codes a & b Accessories may be used with these connectors.
Mating combinations – refer to [page 7](#) (for LMF) or [page 12](#) (for LMG).
To specify orientation versions replace last digit with digit of relevant position number,
e.g. LMF/1/40022/325 = ORIENTATION POSITION 5

LMF / LMG RANGE SHELL SIZE 2 4 contacts 19 amps

PLUG FACE ORIENTATION	0	1	2	3	4	5
LMF RANGE 250 volts D.C. or A.C. peak						
LMG RANGE 500 volts D.C. or A.C. peak						

CONNECTOR STYLE	ALUMINIUM		BRASS	
	LMF Part No.	LMG Part No.	LMF Part No.	LMG Part No.
Free Plug	LMF/1/40026/320	LMG/1/07026/220	LMF/1/40226/520	LMG/1/07226/220
Free Socket	LMF/1/40006/320	LMG/1/07006/220	LMF/1/40206/520	LMG/1/07206/220
Fixed Plug (Round Flange)	LMF/1/40066/320	LMG/1/07066/220	LMF/1/40266/520	LMG/1/07346/220
Fixed Socket (Round Flange)	LMF/1/40046/320	LMG/1/07046/220	LMF/1/40246/520	LMG/1/07326/220
Fixed Plug (Round Flange with Outlet Nut)	LMF/1/40146/320	N/A	N/A	N/A
Fixed Socket (Round Flange With Outlet Nut)	LMF/1/40126/320	N/A	N/A	N/A
Fixed Plug (Square Flange)	N/A	N/A	LMF/1/40346/520	LMG/1/07266/220
Fixed Socket (Square Flange)	N/A	N/A	LMF/1/40326/520	LMG/1/07246/220
Free Coupler Plug	LMF/1/40106/320	LMG/1/07106/220	LMF/1/40306/520	LMG/1/07306/220
Free Coupler Socket	LMF/1/40086/320	LMG/1/07086/220	LMF/1/40286/520	LMG/1/07286/220
Bulkhead Plug/Socket	LMF/1/40186/320	N/A	LMF/1/40386/520	N/A
Bulkhead Socket/Plug	LMF/1/40166/320	N/A	LMF/1/40366/520	N/A

IMPORTANT

Only shell size 2 codes c, d, e & f accessories may be used with these connectors.
Mating combinations – refer to [page 7](#) (for LMF) or [page 12](#) (for LMG).
To specify orientation versions replace last digit with digit of relevant position number,
e.g. LMF/1/40026/325 = ORIENTATION POSITION 5

LMF / LMG RANGE
SHELL SIZE 3
4 contacts
3 contacts 60 amps, 1 contact 19 amps

PLUG FACE ORIENTATION	0	1	2	3	4	5
LMF RANGE 250 volts D.C. or A.C. peak						
LMG RANGE 500 volts D.C. or A.C. peak						

CONNECTOR STYLE	ALUMINIUM		BRASS	
	LMF Part No.	LMG Part No.	LMF Part No.	LMG Part No.
Free Plug	LMF/1/40030/320	LMG/1/07030/220	LMF/1/40230/520	LMG/1/07230/220
Free Socket	LMF/1/40010/320	LMG/1/07010/220	LMF/1/40210/520	LMG/1/07210/220
Fixed Plug (Round Flange)	LMF/1/40070/320	LMG/1/07070/220	LMF/1/40270/520	LMG/1/07350/220
Fixed Socket (Round Flange)	LMF/1/40050/320	LMG/1/07050/220	LMF/1/40250/520	LMG/1/07330/220
Fixed Plug (Round Flange with Outlet Nut)	LMF/1/40150/320	N/A	N/A	N/A
Fixed Socket (Round Flange With Outlet Nut)	LMF/1/40130/320	N/A	N/A	N/A
Fixed Plug (Square Flange)	N/A	N/A	LMF/1/40350/520	LMG/1/07270/220
Fixed Socket (Square Flange)	N/A	N/A	LMF/1/40330/520	LMG/1/07250/220
Free Coupler Plug	LMF/1/40110/320	LMG/1/07110/220	LMF/1/40310/520	LMG/1/07310/220
Free Coupler Socket	LMF/1/40090/320	LMG/1/07090/220	LMF/1/40290/520	LMG/1/07290/220
Bulkhead Plug/Socket	N/A	N/A	N/A	N/A
Bulkhead Socket/Plug	N/A	N/A	N/A	N/A

IMPORTANT

Only shell size 3 codes g, h & i accessories may be used with these connectors.
 Mating combinations – refer to [page 7](#) (for LMF) or [page 12](#) (for LMG).
 To specify orientation versions replace last digit with digit of relevant position number,
 e.g. LMF/1/40030/325 = ORIENTATION POSITION 5

LMF / LMG RANGE
SHELL SIZE 3
5 contacts
2 contacts 60 amps, 3 contact 19 amps

PLUG FACE ORIENTATION	0	1	2	3	4	5
LMF RANGE 250 volts D.C. or A.C. peak						
LMG RANGE 500 volts D.C. or A.C. peak						

CONNECTOR STYLE	ALUMINIUM		BRASS	
	LMF Part No.	LMG Part No.	LMF Part No.	LMG Part No.
Free Plug	LMF/1/40031/320	LMG/1/07031/220	LMF/1/40231/520	LMG/1/07231/220
Free Socket	LMF/1/40011/320	LMG/1/07011/220	LMF/1/40211/520	LMG/1/07211/220
Fixed Plug (Round Flange)	LMF/1/40071/320	LMG/1/07071/220	LMF/1/40271/520	LMG/1/07351/220
Fixed Socket (Round Flange)	LMF/1/40051/320	LMG/1/07051/220	LMF/1/40251/520	LMG/1/07331/220
Fixed Plug (Round Flange with Outlet Nut)	LMF/1/40151/320	N/A	N/A	N/A
Fixed Socket (Round Flange With Outlet Nut)	LMF/1/40131/320	N/A	N/A	N/A
Fixed Plug (Square Flange)	N/A	N/A	LMF/1/40351/520	LMG/1/07271/220
Fixed Socket (Square Flange)	N/A	N/A	LMF/1/40331/520	LMG/1/07251/220
Free Coupler Plug	LMF/1/40111/320	LMG/1/07111/220	LMF/1/40311/520	LMG/1/07311/220
Free Coupler Socket	LMF/1/40091/320	LMG/1/07091/220	LMF/1/40291/520	LMG/1/07291/220
Bulkhead Plug/Socket	N/A	N/A	N/A	N/A
Bulkhead Socket/Plug	N/A	N/A	N/A	N/A

IMPORTANT

Only shell size 3 codes g, h & i accessories may be used with these connectors.
Mating combinations – refer to [page 7](#) (for LMF) or [page 12](#) (for LMG).
To specify orientation versions replace last digit with digit of relevant position number,
e.g. LMF/1/40031/325 = ORIENTATION POSITION 5

LMF / LMG RANGE SHELL SIZE 1 6 contacts 5 amps

PLUG FACE ORIENTATION	0	1	2	3	4	5
LMF RANGE 250 volts D.C. or A.C. peak						
LMG RANGE 500 volts D.C. or A.C. peak						

CONNECTOR STYLE	ALUMINIUM		BRASS	
	LMF Part No.	LMG Part No.	LMF Part No.	LMG Part No.
Free Plug	LMF/1/40023/320	LMG/1/07023/220	LMF/1/40223/520	LMG/1/07223/220
Free Socket	LMF/1/40003/320	LMG/1/07003/220	LMF/1/40203/520	LMG/1/07203/220
Fixed Plug (Round Flange)	LMF/1/40063/320	LMG/1/07063/220	LMF/1/40263/520	LMG/1/07343/220
Fixed Socket (Round Flange)	LMF/1/40043/320	LMG/1/07043/220	LMF/1/40243/520	LMG/1/07323/220
Fixed Plug (Round Flange with Outlet Nut)	LMF/1/40143/320	N/A	N/A	N/A
Fixed Socket (Round Flange With Outlet Nut)	LMF/1/40123/320	N/A	N/A	N/A
Fixed Plug (Square Flange)	N/A	N/A	LMF/1/40343/520	LMG/1/07263/220
Fixed Socket (Square Flange)	N/A	N/A	LMF/1/40323/520	LMG/1/07243/220
Free Coupler Plug	LMF/1/40103/320	LMG/1/07103/220	LMF/1/40303/520	LMG/1/07303/220
Free Coupler Socket	LMF/1/40083/320	LMG/1/07083/220	LMF/1/40283/520	LMG/1/07283/220
Bulkhead Plug/Socket	LMF/1/40183/320	N/A	LMF/1/40383/520	N/A
Bulkhead Socket/Plug	LMF/1/40163/320	N/A	LMF/1/40363/520	N/A

IMPORTANT

Only shell size 1 codes a & b Accessories may be used with these connectors.
Mating combinations – refer to [page 7](#) (for LMF) or [page 12](#) (for LMG).
To specify orientation versions replace last digit with digit of relevant position number,
e.g. LMF/1/40023/325 = ORIENTATION POSITION 5

LMF / LMG RANGE SHELL SIZE 2 6 contacts 5 amps

PLUG FACE ORIENTATION	0	1	2	3	4	5
LMF RANGE 500 volts D.C. or A.C. peak						
LMG RANGE 500 volts D.C. or A.C. peak						

CONNECTOR STYLE	ALUMINIUM		BRASS	
	LMF Part No.	LMG Part No.	LMF Part No.	LMG Part No.
Free Plug	LMF/1/40027/320	LMG/1/07027/220	LMF/1/40227/520	LMG/1/07227/220
Free Socket	LMF/1/40007/320	LMG/1/07007/220	LMF/1/40207/520	LMG/1/07207/220
Fixed Plug (Round Flange)	LMF/1/40067/320	LMG/1/07067/220	LMF/1/40267/520	LMG/1/07347/220
Fixed Socket (Round Flange)	LMF/1/40047/320	LMG/1/07047/220	LMF/1/40247/520	LMG/1/07327/220
Fixed Plug (Round Flange with Outlet Nut)	LMF/1/40147/320	N/A	N/A	N/A
Fixed Socket (Round Flange With Outlet Nut)	LMF/1/40127/320	N/A	N/A	N/A
Fixed Plug (Square Flange)	N/A	N/A	LMF/1/40347/520	LMG/1/07267/220
Fixed Socket (Square Flange)	N/A	N/A	LMF/1/40327/520	LMG/1/07247/220
Free Coupler Plug	LMF/1/40107/320	LMG/1/07107/220	LMF/1/40307/520	LMG/1/07307/220
Free Coupler Socket	LMF/1/40087/320	LMG/1/07087/220	LMF/1/40287/520	LMG/1/07287/220
Bulkhead Plug/Socket	LMF/1/40187/320	N/A	LMF/1/40387/520	N/A
Bulkhead Socket/Plug	LMF/1/40167/320	N/A	LMF/1/40367/520	N/A

IMPORTANT

Only shell size 2 codes c, d, e & f accessories may be used with these connectors.
Mating combinations – refer to [page 7](#) (for LMF) or [page 12](#) (for LMG).
To specify orientation versions replace last digit with digit of relevant position number,
e.g. LMF/1/40027/325 = ORIENTATION POSITION 5

LMF / LMG RANGE
SHELL SIZE 2
6 contacts 5 amps

PLUG FACE ORIENTATION	0	1	2	3	4	5
LMF RANGE 1.5 kV D.C. or A.C. peak						
LMG RANGE 1.5 kV D.C. or A.C. peak						

CONNECTOR STYLE	ALUMINIUM		BRASS	
	LMF Part No.	LMG Part No.	LMF Part No.	LMG Part No.
Free Plug	LMF/1/40028/320	LMG/1/07028/220	LMF/1/40228/520	LMG/1/07228/220
Free Socket	LMF/1/40008/320	LMG/1/07008/220	LMF/1/40208/520	LMG/1/07208/220
Fixed Plug (Round Flange)	LMF/1/40068/320	LMG/1/07068/220	LMF/1/40268/520	LMG/1/07348/220
Fixed Socket (Round Flange)	LMF/1/40048/320	LMG/1/07048/220	LMF/1/40248/520	LMG/1/07328/220
Fixed Plug (Round Flange with Outlet Nut)	LMF/1/40148/320	N/A	N/A	N/A
Fixed Socket (Round Flange With Outlet Nut)	LMF/1/40128/320	N/A	N/A	N/A
Fixed Plug (Square Flange)	N/A	N/A	LMF/1/40348/520	LMG/1/07268/220
Fixed Socket (Square Flange)	N/A	N/A	LMF/1/40328/520	LMG/1/07248/220
Free Coupler Plug	LMF/1/40108/320	LMG/1/07108/220	LMF/1/40308/520	LMG/1/07308/220
Free Coupler Socket	LMF/1/40088/320	LMG/1/07088/220	LMF/1/40288/520	LMG/1/07288/220
Bulkhead Plug/Socket	LMF/1/40188/320	N/A	LMF/1/40388/520	N/A
Bulkhead Socket/Plug	LMF/1/40168/320	N/A	LMF/1/40368/520	N/A

IMPORTANT

Only shell size 2 codes c, d, e & f accessories may be used with these connectors.
Mating combinations – refer to [page 7](#) (for LMF) or [page 12](#) (for LMG).
To specify orientation versions replace last digit with digit of relevant position number,
e.g. LMF/1/40028/325 = ORIENTATION POSITION 5

LMF / LMG RANGE
SHELL SIZE 3
6 contacts 19 amps

PLUG FACE ORIENTATION	0	1	2	3	4	5
LMF RANGE 2.5 kV D.C. or A.C. peak						
LMG RANGE 2.5 kV D.C. or A.C. peak						

CONNECTOR STYLE	ALUMINIUM		BRASS	
	LMF Part No.	LMG Part No.	LMF Part No.	LMG Part No.
Free Plug	LMF/1/40032/320	LMG/1/07032/220	LMF/1/40232/520	LMG/1/07232/220
Free Socket	LMF/1/40012/320	LMG/1/07012/220	LMF/1/40212/520	LMG/1/07212/220
Fixed Plug (Round Flange)	LMF/1/40072/320	LMG/1/07072/220	LMF/1/40272/520	LMG/1/07352/220
Fixed Socket (Round Flange)	LMF/1/40052/320	LMG/1/07052/220	LMF/1/40252/520	LMG/1/07332/220
Fixed Plug (Round Flange with Outlet Nut)	LMF/1/40152/320	N/A	N/A	N/A
Fixed Socket (Round Flange With Outlet Nut)	LMF/1/40132/320	N/A	N/A	N/A
Fixed Plug (Square Flange)	N/A	N/A	LMF/1/40352/520	LMG/1/07272/220
Fixed Socket (Square Flange)	N/A	N/A	LMF/1/40332/520	LMG/1/07252/220
Free Coupler Plug	LMF/1/40112/320	LMG/1/07112/220	LMF/1/40312/520	LMG/1/07312/220
Free Coupler Socket	LMF/1/40092/320	LMG/1/07092/220	LMF/1/40292/520	LMG/1/07292/220
Bulkhead Plug/Socket	LMF/1/40192/320	N/A	LMF/1/40392/520	N/A
Bulkhead Socket/Plug	LMF/1/40172/320	N/A	LMF/1/40372/520	N/A

IMPORTANT

Only shell size 3 codes g, h & i accessories may be used with these connectors.
Mating combinations – refer to [page 7](#) (for LMF) or [page 12](#) (for LMG).
To specify orientation versions replace last digit with digit of relevant position number,
e.g. LMF/1/40032/325 = ORIENTATION POSITION 5

LMF / LMG RANGE SHELL SIZE 3 9 contact 19 amps

PLUG FACE ORIENTATION	0	1	2	3	4	5
LMF RANGE 250 volts D.C. or A.C. peak						
LMG RANGE 500 volts D.C. or A.C. peak						

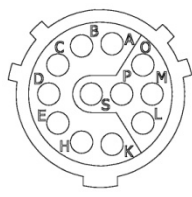
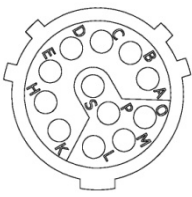
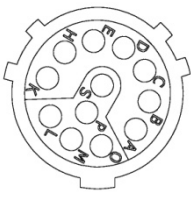
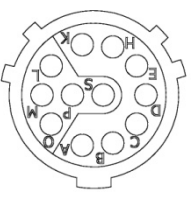
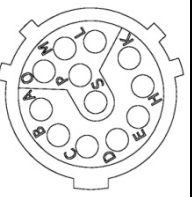
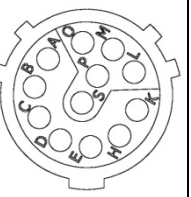
CONNECTOR STYLE	ALUMINIUM		BRASS	
	LMF Part No.	LMG Part No.	LMF Part No.	LMG Part No.
Free Plug	LMF/1/40033/320	LMG/1/07033/220	LMF/1/40233/520	LMG/1/07233/220
Free Socket	LMF/1/40013/320	LMG/1/07013/220	LMF/1/40213/520	LMG/1/07213/220
Fixed Plug (Round Flange)	LMF/1/40073/320	LMG/1/07073/220	LMF/1/40273/520	LMG/1/07353/220
Fixed Socket (Round Flange)	LMF/1/40053/320	LMG/1/07053/220	LMF/1/40253/520	LMG/1/07333/220
Fixed Plug (Round Flange with Outlet Nut)	LMF/1/40153/320	N/A	N/A	N/A
Fixed Socket (Round Flange With Outlet Nut)	LMF/1/40133/320	N/A	N/A	N/A
Fixed Plug (Square Flange)	N/A	N/A	LMF/1/40353/520	LMG/1/07273/220
Fixed Socket (Square Flange)	N/A	N/A	LMF/1/40333/520	LMG/1/07253/220
Free Coupler Plug	LMF/1/40113/320	LMG/1/07113/220	LMF/1/40313/520	LMG/1/07313/220
Free Coupler Socket	LMF/1/40093/320	LMG/1/07093/220	LMF/1/40293/520	LMG/1/07293/220
Bulkhead Plug/Socket	N/A	N/A	N/A	N/A
Bulkhead Socket/Plug	N/A	N/A	N/A	N/A

IMPORTANT

Only shell size 3 codes g, h & i accessories may be used with these connectors.
Mating combinations – refer to [page 7](#) (for LMF) or [page 12](#) (for LMG).
To specify orientation versions replace last digit with digit of relevant position number,
e.g. LMF/1/40033/325 = ORIENTATION POSITION 5

**LMG RANGE
SHELL SIZE 1**

12 contacts 3 amp 500 volts D.C. or A.C. peak
Note "Plugs" have 7 male contacts, 5 female contacts
"Sockets" have 7 female contacts, 5 male contacts

PLUG FACE ORIENTATION	0	1	2	3	4	5
LMG RANGE						

CONNECTOR STYLE	ALUMINIUM	BRASS
	LMG Part No.	LMG Part No.
Free Plug	LMG/1/18448/220	LMG/1/18508/220
Free Socket	LMG/1/18458/220	LMG/1/18518/220
Fixed Plug (Round Flange)	LMG/1/18468/220	LMG/1/18528/220
Fixed Socket (Round Flange)	LMG/1/18478/220	LMG/1/18538/220
Fixed Plug (Square Flange)	N/A	LMG/1/18548/220
Fixed Socket (Square Flange)	N/A	LMG/1/18558/220
Free Coupler Plug	LMG/1/18488/220	LMG/1/18568/220
Free Coupler Socket	LMG/1/18498/220	LMG/1/18578/220

IMPORTANT

Only shell size 1 codes a & b Accessories may be used with these connectors.
 Mating combinations – refer to [page 12](#).
 To specify orientation versions replace last digit with digit of relevant position number,
 e.g. LMG/118448/225 = ORIENTATION POSITION 5

LMF / LMG RANGE SHELL SIZE 2 12 contacts 5 amps

PLUG FACE ORIENTATION	0	1	2	3	4	5
LMF RANGE 250 volts D.C. or A.C. peak						
LMG RANGE 500 volts D.C. or A.C. peak						

CONNECTOR STYLE	ALUMINIUM		BRASS	
	LMF Part No.	LMG Part No.	LMF Part No.	LMG Part No.
Free Plug	LMF/1/40029/320	LMG/1/07029/220	LMF/1/40229/520	LMG/1/07229/220
Free Socket	LMF/1/40009/320	LMG/1/07009/220	LMF/1/40209/520	LMG/1/07209/220
Fixed Plug (Round Flange)	LMF/1/40069/320	LMG/1/07069/220	LMF/1/40269/520	LMG/1/07349/220
Fixed Socket (Round Flange)	LMF/1/40049/320	LMG/1/07049/220	LMF/1/40249/520	LMG/1/07329/220
Fixed Plug (Round Flange with Outlet Nut)	LMF/1/40149/320	N/A	N/A	N/A
Fixed Socket (Round Flange With Outlet Nut)	LMF/1/40129/320	N/A	N/A	N/A
Fixed Plug (Square Flange)	N/A	N/A	LMF/1/40349/520	LMG/1/07269/220
Fixed Socket (Square Flange)	N/A	N/A	LMF/1/40329/520	LMG/1/07249/220
Free Coupler Plug	LMF/1/40109/320	LMG/1/07109/220	LMF/1/40309/520	LMG/1/07309/220
Free Coupler Socket	LMF/1/40089/320	LMG/1/07089/220	LMF/1/40289/520	LMG/1/07289/220
Bulkhead Plug/Socket	LMF/1/40189/320	N/A	LMF/1/40389/520	N/A
Bulkhead Socket/Plug	LMF/1/40169/320	N/A	LMF/1/40369/520	N/A

IMPORTANT

Only shell size 2 codes c, d, e & f accessories may be used with these connectors.
Mating combinations – refer to [page 7](#) (for LMF) or [page 12](#) (for LMG).
To specify orientation versions replace last digit with digit of relevant position number,
e.g. LMF/1/40029/325 = ORIENTATION POSITION 5

**LMF / LMG RANGE
SHELL SIZE 3
13 contacts 12 amps**

PLUG FACE ORIENTATION	0	1	2	3	4	5
LMF RANGE 250 volts D.C. or A.C. peak						
LMG RANGE 500 volts D.C. or A.C. peak						

CONNECTOR STYLE	ALUMINIUM		BRASS	
	LMF Part No.	LMG Part No.	LMF Part No.	LMG Part No.
Free Plug	LMF/1/40434/320	LMG/1/07034/220	LMF/1/40634/520	LMG/1/07234/220
Free Socket	LMF/1/40414/320	LMG/1/07014/220	LMF/1/40614/520	LMG/1/07214/220
Fixed Plug (Round Flange)	LMF/1/40474/320	LMG/1/07074/220	LMF/1/40674/520	LMG/1/07354/220
Fixed Socket (Round Flange)	LMF/1/40454/320	LMG/1/07054/220	LMF/1/40654/520	LMG/1/07334/220
Fixed Plug (Round Flange with Outlet Nut)	LMF/1/40554/320	N/A	N/A	N/A
Fixed Socket (Round Flange With Outlet Nut)	LMF/1/40534/320	N/A	N/A	N/A
Fixed Plug (Square Flange)	N/A	N/A	LMF/1/40754/520	LMG/1/07274/220
Fixed Socket (Square Flange)	N/A	N/A	LMF/1/40734/520	LMG/1/07254/220
Free Coupler Plug	LMF/1/40514/320	LMG/1/07114/220	LMF/1/40714/520	LMG/1/07314/220
Free Coupler Socket	LMF/1/40494/320	LMG/1/07094/220	LMF/1/40694/520	LMG/1/07294/220
Bulkhead Plug/Socket	N/A	N/A	N/A	N/A
Bulkhead Socket/Plug	N/A	N/A	N/A	N/A

IMPORTANT

Only shell size 3 codes g, h & i accessories may be used with these connectors.
Mating combinations – refer to [page 7](#) (for LMF) or [page 12](#) (for LMG).
To specify orientation versions replace last digit with digit of relevant position number,
e.g. LMF/1/40034/325 = ORIENTATION POSITION 5

LMF / LMG RANGE

SHELL SIZE 3

18 contacts - SPECIAL

Contacts A, B, C 1.5 Kv D.C. or A.C. peak

Contacts D to P 250 volts (LMF) or 500 volts (LMG) D.C. or A.C. peak

**Contacts Q, R, S 250 volts (LMF) or 500 volts (LMG) D.C. or A.C. peak
between contacts and 1.5kV D.C. or A.C. peak contacts to shell**

PLUG FACE ORIENTATION	0	1	2	3	4	5
LMF RANGE 250 volts D.C. or A.C. peak						
LMG RANGE 500 volts D.C. or A.C. peak						

CONNECTOR STYLE	ALUMINIUM		BRASS	
	LMF Part No.	LMG Part No.	LMF Part No.	LMG Part No.
Free Plug	LMF/1/40035/320	LMG/1/07035/220	LMF/1/40235/520	LMG/1/07235/220
Free Socket	LMF/1/40015/320	LMG/1/07015/220	LMF/1/40215/520	LMG/1/07215/220
Fixed Plug (Round Flange)	LMF/1/40075/320	LMG/1/07075/220	LMF/1/40275/520	LMG/1/07355/220
Fixed Socket (Round Flange)	LMF/1/40055/320	LMG/1/07055/220	LMF/1/40255/520	LMG/1/07335/220
Fixed Plug (Round Flange with Outlet Nut)	LMF/1/40155/320	N/A	N/A	N/A
Fixed Socket (Round Flange With Outlet Nut)	LMF/1/40135/320	N/A	N/A	N/A
Fixed Plug (Square Flange)	N/A	N/A	LMF/1/40355/520	LMG/1/07275/220
Fixed Socket (Square Flange)	N/A	N/A	LMF/1/40335/520	LMG/1/07255/220
Free Coupler Plug	LMF/1/40115/320	LMG/1/07115/220	LMF/1/40315/520	LMG/1/07315/220
Free Coupler Socket	LMF/1/40095/320	LMG/1/07095/220	LMF/1/40295/520	LMG/1/07295/220
Bulkhead Plug/Socket	LMF/1/40195/320	N/A	LMF/1/40395/520	N/A
Bulkhead Socket/Plug	LMF/1/40175/320	N/A	LMF/1/40375/520	N/A

IMPORTANT

Only shell size 3 codes g, h & i accessories may be used with these connectors.
Mating combinations – refer to [page 7](#) (for LMF) or [page 12](#) (for LMG).
To specify orientation versions replace last digit with digit of relevant position number,
e.g. LMF/1/40035/325 = ORIENTATION POSITION 5

LMF / LMG RANGE
SHELL SIZE 3
25 contacts 5 amps

PLUG FACE ORIENTATION	0	1	2	3	4	5
LMF RANGE 250 volts D.C. or A.C. peak						
LMG RANGE 500 volts D.C. or A.C. peak						

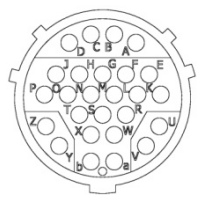
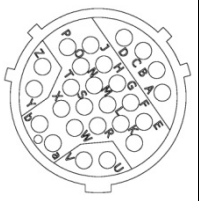
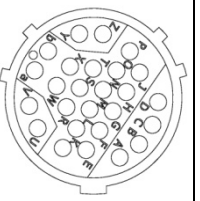
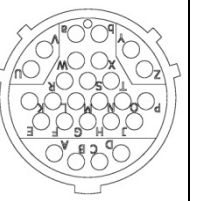
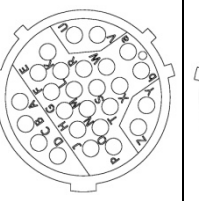
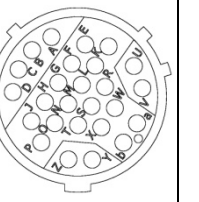
CONNECTOR STYLE	ALUMINIUM		BRASS	
	LMF Part No.	LMG Part No.	LMF Part No.	LMG Part No.
Free Plug	LMF/1/40036/320	LMG/1/07036/220	LMF/1/40236/520	LMG/1/07236/220
Free Socket	LMF/1/40016/320	LMG/1/07016/220	LMF/1/40216/520	LMG/1/07216/220
Fixed Plug (Round Flange)	LMF/1/40076/320	LMG/1/07076/220	LMF/1/40276/520	LMG/1/07356/220
Fixed Socket (Round Flange)	LMF/1/40056/320	LMG/1/07056/220	LMF/1/40256/520	LMG/1/07336/220
Fixed Plug (Round Flange with Outlet Nut)	LMF/1/40156/320	N/A	N/A	N/A
Fixed Socket (Round Flange With Outlet Nut)	LMF/1/40136/320	N/A	N/A	N/A
Fixed Plug (Square Flange)	N/A	N/A	LMF/1/40356/520	LMG/1/07276/220
Fixed Socket (Square Flange)	N/A	N/A	LMF/1/40336/520	LMG/1/07256/220
Free Coupler Plug	LMF/1/40116/320	LMG/1/07116/220	LMF/1/40316/520	LMG/1/07316/220
Free Coupler Socket	LMF/1/40096/320	LMG/1/07096/220	LMF/1/40296/520	LMG/1/07296/220
Bulkhead Plug/Socket	LMF/1/40196/320	N/A	LMF/1/40396/520	N/A
Bulkhead Socket/Plug	LMF/1/40176/320	N/A	LMF/1/40376/520	N/A

IMPORTANT

Only shell size 3 codes g, h & i accessories may be used with these connectors.
Mating combinations – refer to [page 7](#) (for LMF) or [page 12](#) (for LMG).
To specify orientation versions replace last digit with digit of relevant position number,
e.g. LMF/1/40036/325 = ORIENTATION POSITION 5

**LMG RANGE
SHELL SIZE 2**

26 contacts 3 amp 500 volts D.C. or A.C. peak
Note "Plugs" have 18 male contacts, 8 female contacts
"Sockets" have 18 female contacts, 8 male contacts

PLUG FACE ORIENTATION	0	1	2	3	4	5
LMG RANGE						

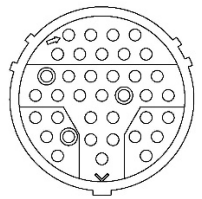
CONNECTOR STYLE	ALUMINIUM	BRASS
	LMG Part No.	LMG Part No.
Free Plug	LMG/1/18449/220	LMG/1/18509/220
Free Socket	LMG/1/18459/220	LMG/1/18519/220
Fixed Plug (Round Flange)	LMG/1/18469/220	LMG/1/18529/220
Fixed Socket (Round Flange)	LMG/1/18479/220	LMG/1/18539/220
Fixed Plug (Square Flange)	N/A	LMG/1/18549/220
Fixed Socket (Square Flange)	N/A	LMG/1/18559/220
Free Coupler Plug	LMG/1/18489/220	LMG/1/18569/220
Free Coupler Socket	LMG/1/18499/220	LMG/1/18579/220

IMPORTANT

Only shell size 2 codes c, d, e & f accessories may be used with these connectors.
 Mating combinations – refer to [page 12](#).
 To specify orientation versions replace last digit with digit of relevant position number,
 e.g. LMG/1/18449/225 = ORIENTATION POSITION 5

**LMG RANGE
SHELL SIZE 3**

37 contacts 3 amp 500 volts D.C. or A.C. peak
Note "Plugs" have 18 male contacts, 19 female contacts
"Sockets" have 18 female contacts, 19 male contacts

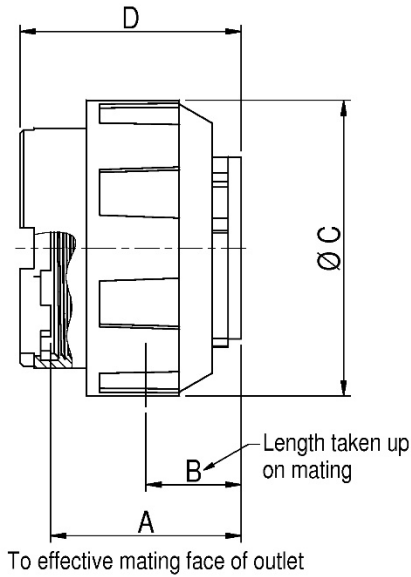
PLUG FACE ORIENTATION	0	1	2	3	4	5
LMG RANGE		N/A	N/A	N/A	N/A	N/A

CONNECTOR STYLE	BRASS
	LMG Part No.
Free Plug	LMG/1/18510/220
Free Socket	LMG/1/18520/220
Fixed Plug (Round Flange)	N/A
Fixed Socket (Round Flange)	N/A
Fixed Plug (Square Flange)	LMG/1/18550/220
Fixed Socket (Square Flange)	LMG/1/18560/220
Free Coupler Plug	LMG/1/18570/220
Free Coupler Socket	LMG/1/18580/220

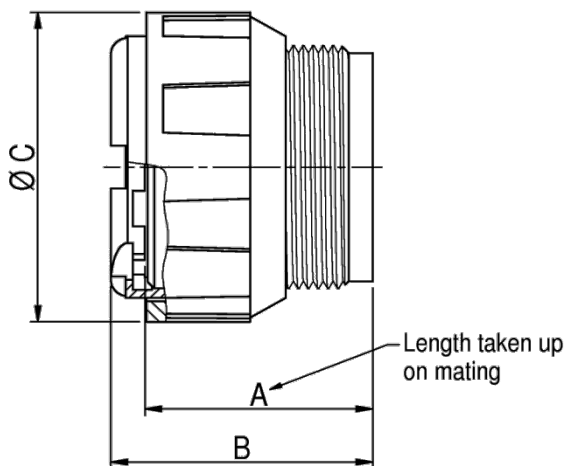
IMPORTANT

Only shell size 3 codes g, h & i accessories may be used with these connectors.
Mating combinations – refer to [page 12](#).

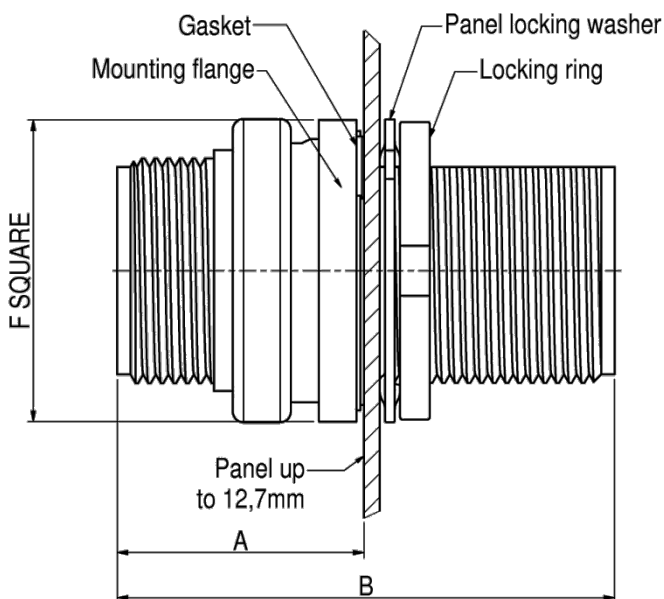
LMF / LMG RANGE DIMENSIONS ALUMINIUM LMF/LMG PLUGS AND SOCKETS



FREE PLUGS AND SOCKETS					
Shell Size	A max.	B min.	C dia. max.	D max.	Coupling Thread Dia. X 20 T.P.I. B.S. 84
1	22.61	8.00	29.21	26.67	0.8437"
2	22.61	8.00	34.80	26.67	1.0625"
3	28.19	11.00	44.45	32.00	1.4375"



FREE COUPLER PLUGS AND SOCKETS				
Shell Size	A max.	B min.	C dia. max.	Coupling Thread Dia. X 20 T.P.I. B.S. 84
1	25.65	30.48	29.21	0.8437"
2	25.65	30.48	34.80	1.0625"
3	27.81	33.02	44.45	1.4375"

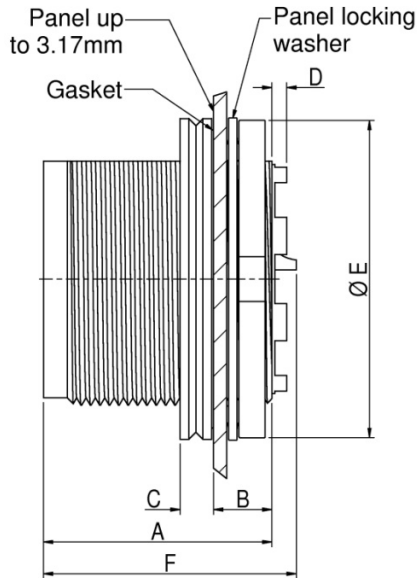


BULKHEAD PLUG/SOCKETS AND SOCKET/PLUGS			
Shell Size	A	B	F Sq.
1	22.35	46.74	28.45
2	22.35	46.74	34.04
3	24.64	52.32	43.69

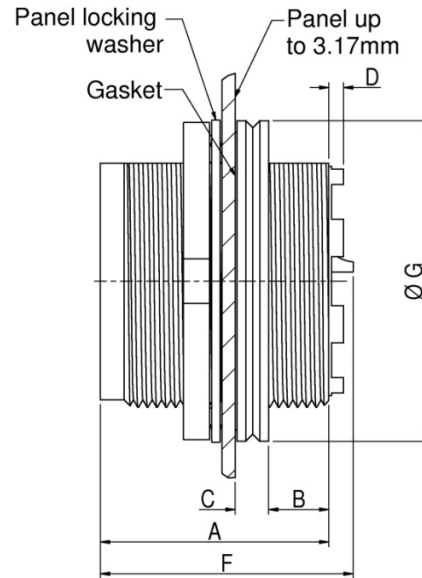
LMF / LMG RANGE DIMENSIONS ALUMINIUM LMF/LMG PLUGS AND SOCKETS

FIXED ROUND FLANGE PLUGS AND SOCKETS

MOUNTED FROM FRONT OF PANEL
Outlets cannot be used



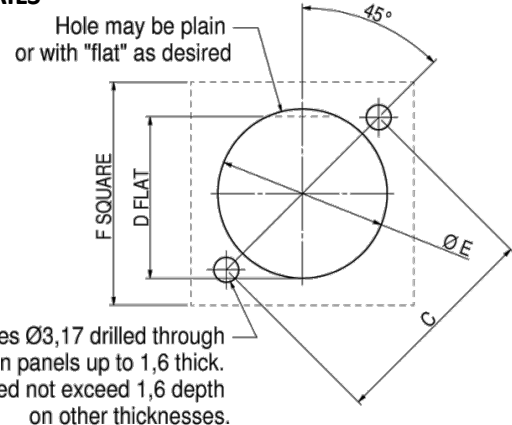
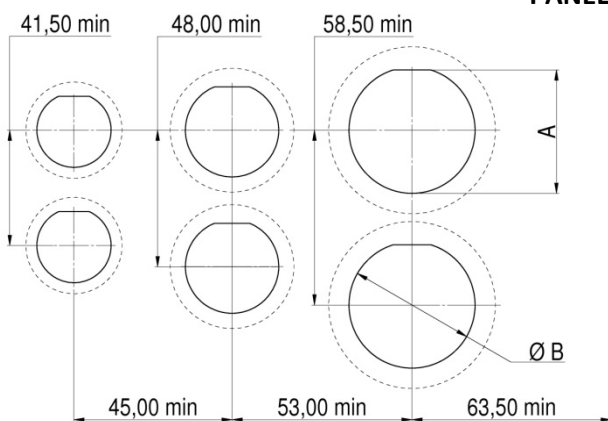
MOUNTED FROM REAR OF PANEL
Outlets may be used (LMG Range only)



Shell Size	A max.	B min.	c min.	D	E dia. max.	F max.	G dia. max.
1	25.65	5.97	3.30	1.14	28.70	27.43	29.21
2	25.65	5.97	3.30	1.14	34.29	27.43	35.05
3	27.81	7.62	3.81	1.52	43.94	29.21	44.45

For tools required when mounting see LMF/LMG Accessory Catalogue. For coupling thread see Free Unit (page 36). LMF Connectors – fixed – round flange do not have accessory castellations. Illustrations on this page are LMG.

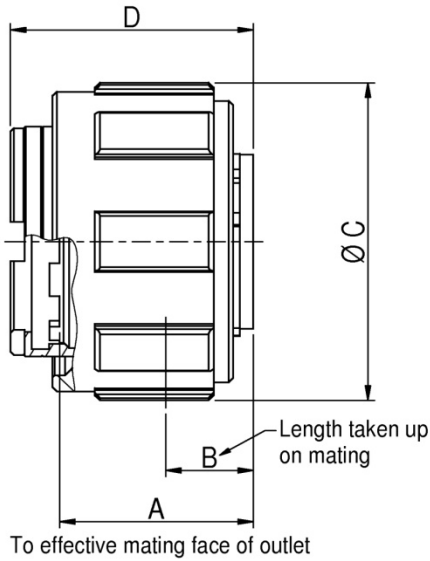
PANEL PIERCING DETAILS



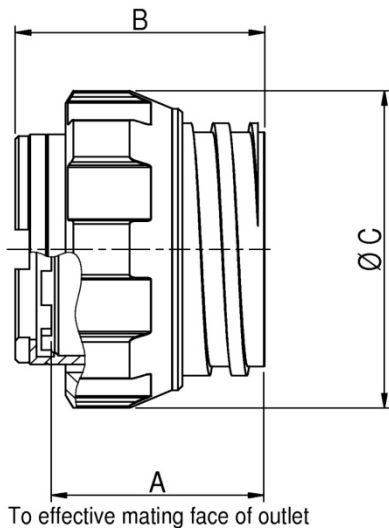
FIXED PLUGS AND SOCKETS		
Shell Size	A	B dia.
1	20.60/20.73	21.54/21.67
2	26.24/26.36	27.10/27.23
3	35.81/35.94	36.63/36.75

BULKHEAD PLUG/SOCKET & SOCKET/PLUG				
Shell Size	C	D Flat	E Dia.	F Sq.
1	27.43/27.56	20.60/20.73	21.54/21.67	28.45
2	34.80/34.92	26.24/26.36	27.10/27.23	34.04
3	45.97/46.10	35.81/35.94	36.63/36.75	43.69

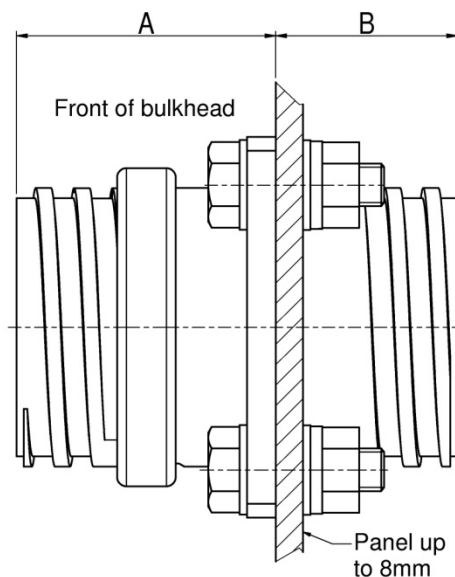
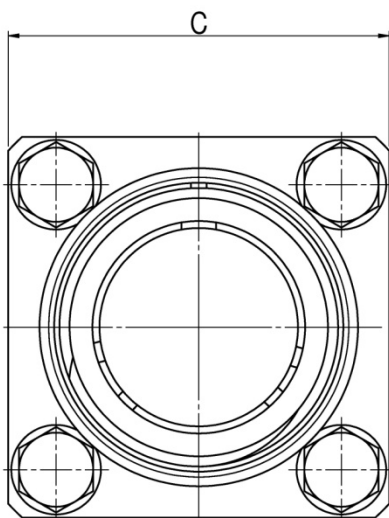
LMF / LMG RANGE DIMENSIONS BRASS LMF/LMG PLUGS AND SOCKETS



FREE PLUGS AND SOCKETS					
Shell Size	A max.	B min.	C dia. max.	D max.	Coupling Thread (Nominal)
1	22.61	8	32.51	26.67	Major Dia. 1.000" X 6 T.P.I. Modified Acme
2	22.61	8	38.61	26.67	Major Dia. 1.219" X 6 T.P.I. Modified Acme
3	28.19	11	49.02	32.00	Major Dia. 1.605" X 6 T.P.I. Modified Acme
3 HD*	28.19	11	49.02	32.00	Major Dia. 1.605" X 8 T.P.I. Twin-Start Modified Acme



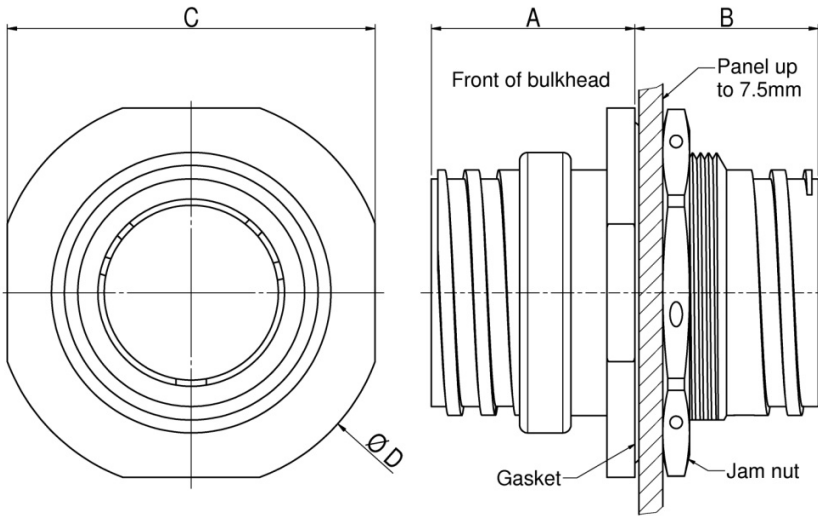
FREE COUPLER PLUGS AND SOCKETS				
Shell Size	A max.	B max.	C dia. max.	Coupling Thread (Nominal)
1	26.92	30.48	32.51	Major Dia. 1.000" X 6 T.P.I. Modified Acme
2	26.92	30.48	38.61	Major Dia. 1.219" X 6 T.P.I. Modified Acme
3	27.81	33.02	49.02	Major Dia. 1.605" X 6 T.P.I. Modified Acme
3 HD*	27.81	33.02	49.02	Major Dia. 1.605" X 8 T.P.I. Twin-Start Modified Acme



SQUARE FLANGE BULKHEAD PLUG/SOCKETS & SOCKET/PLUGS (LMF ONLY)			
Shell Size	A	B	C Sq.
1	29.21	20.07	33.78
2	29.21	20.07	41.91
3	31.50	23.37	48.77

* - Relates to size 3 connectors with 37 contacts.

LMF / LMG RANGE DIMENSIONS BRASS LMF/LMG PLUGS AND SOCKETS

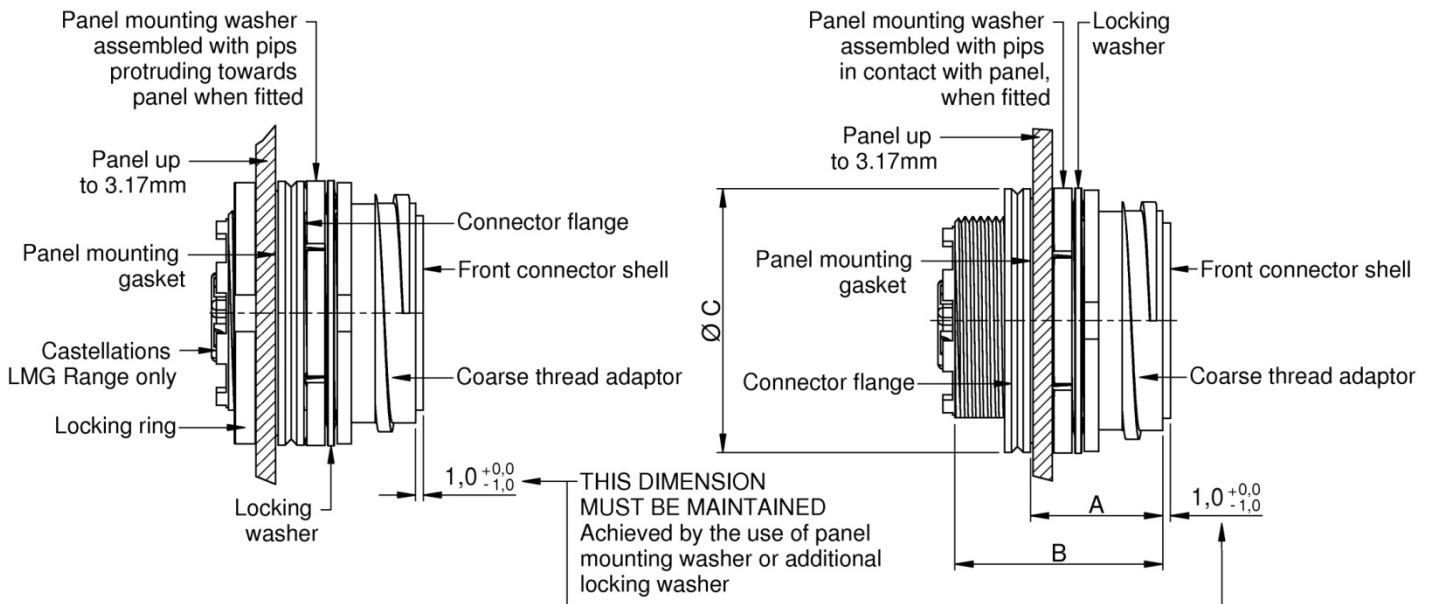


SINGLE HOLE MOUNTING BULKHEAD PLUG/SOCKETS & SOCKET/PLUGS (LMF ONLY)				
Shell Size	A	B	C	D Dia.
1	25.50	23.00	38.20	41.80
2	25.50	23.00	46.10	49.20
3	29.00	25.00	55.60	58.60

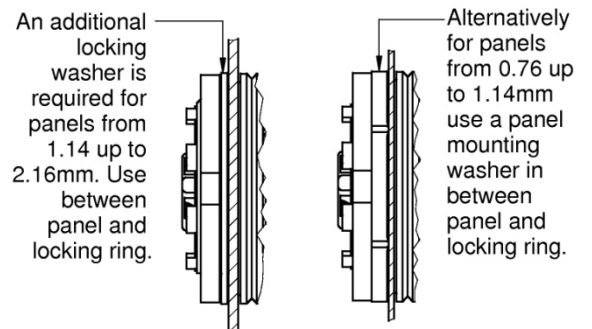
FIXED ROUND FLANGE PLUGS AND SOCKETS

MOUNTED FROM FRONT OF PANEL
Outlets cannot be used

MOUNTED FROM REAR OF PANEL
Outlets may be used (LMG Range only)



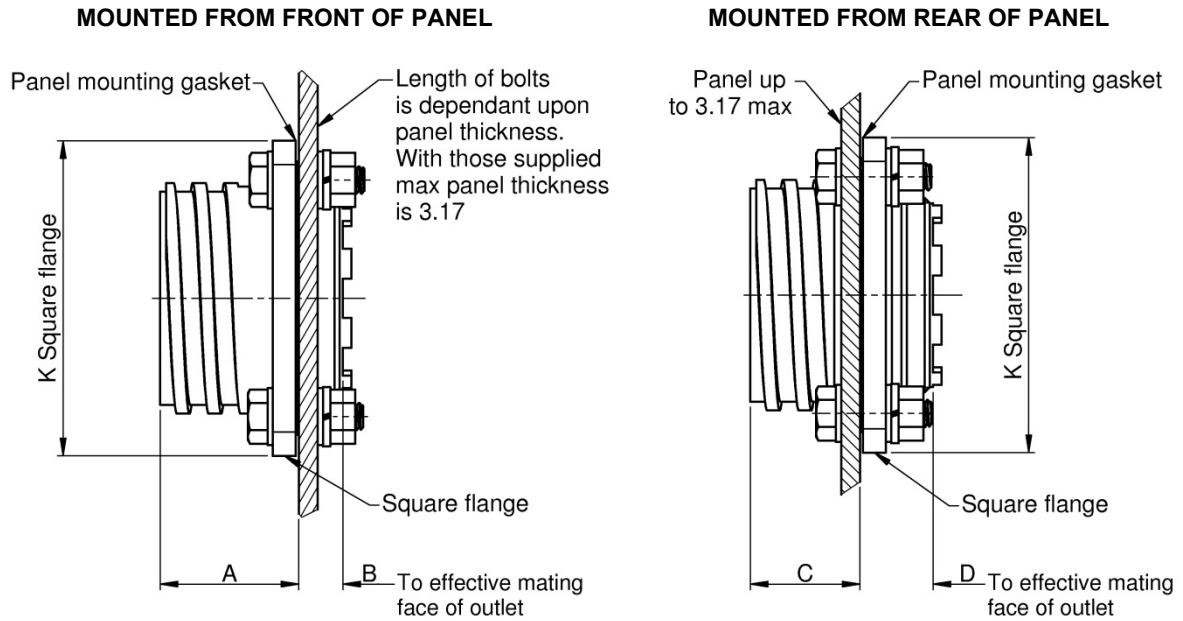
Shell Size	A mm max	B mm nom	C mm dia.	Panel mounting washer Pt. No.
1	15.24	25.65	29.21	LMA/2/07810/00*
2	15.24	25.65	34.8	LMA/2/07811/00*
3	17.02	27.81	44.45	LMA/2/07812/00*



For tools required when mounting see LMF/LMG Accessory Catalogue. For coupling thread see Free Unit (Page 38).
LMF Connectors – fixed – round flange do not have accessory castellation. Illustrations on this page are LMG.

LMF / LMG RANGE
DIMENSIONS BRASS LMF/LMG PLUGS AND SOCKETS

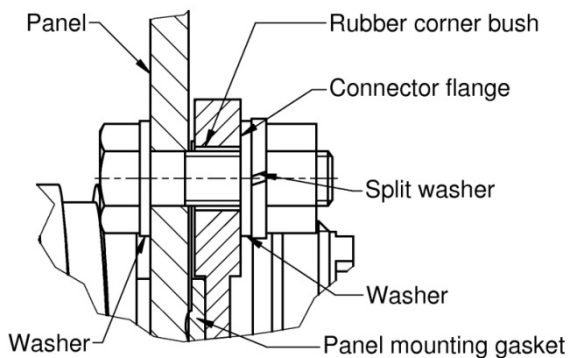
FIXED SQUARE FLANGE PLUGS AND SOCKETS



Bolts should be mounted with bolt heads on the mating side of plug or socket

Shell Size	A max.	B	C max.	D	K Sq. max
1	19.94	6.60	17.14	9.65	34.04
2	19.94	6.60	17.14	9.65	42.16
3	22.10	7.11	18.29	10.16	49.02

CORNER BOLT SEALING DETAILS



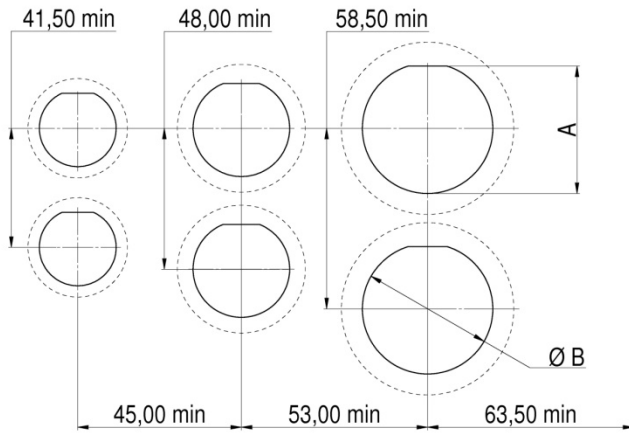
IMPORTANT

These plugs and sockets are supplied with panel-mounting gasket. Corner bushes, nuts, bolts and washers must be ordered as additional items. For details see LMF/LMG Accessory Catalogue (page 11).

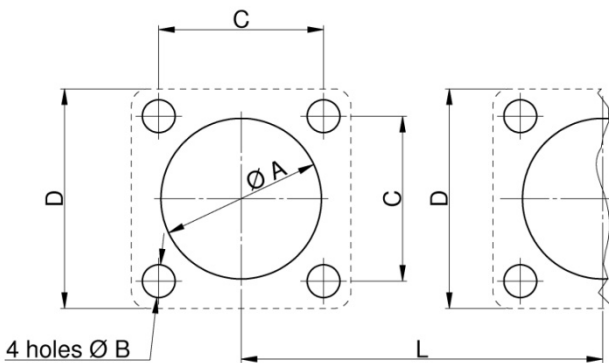
Where outlets are to be used, outlet nuts must be ordered as additional items. For details see LMF/LMG Accessory Catalogue (page 10).

LMF / LMG RANGE DIMENSIONS BRASS LMF/LMG PLUGS AND SOCKETS

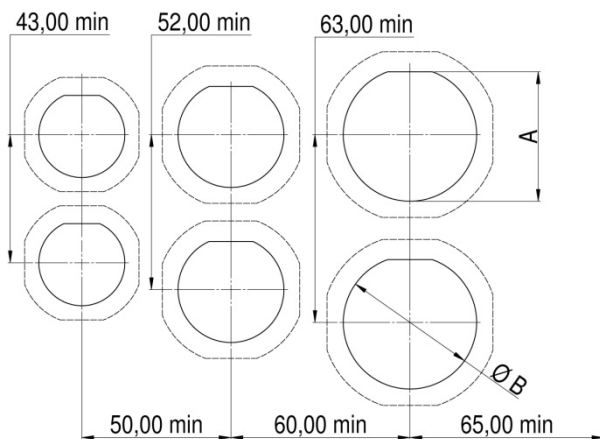
PANEL PIERCING DETAILS



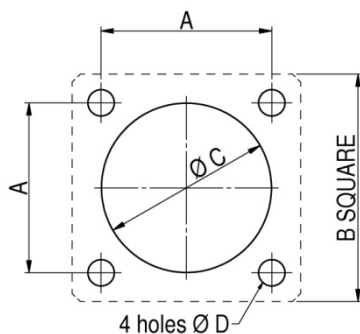
FIXED PLUGS AND SOCKETS		
Shell Size	A min/max	B dia.
1	20.60/20.73	21.54/21.67
2	26.24/26.36	27.10/27.23
3	35.81/35.94	36.63/36.75



FIXED SQUARE FLANGE PLUGS AND SOCKETS					
Shell Size	A dia. min/max	B dia.	C	D nom.	L
1	25.27/25.4	3.96	25.4	33.78	36.83
2	30.86/30.99	5.10	31.37	41.91	43.43
3	40.39/40.51	5.10	38.48	48.77	55.63



SINGLE HOLE MOUNTING BULKHEAD PLUG/SOCKETS & SOCKET/PLUGS (LMF ONLY)		
Shell Size	A	B dia.
1	27.56/27.81	28.83/29.08
2	33.91/34.16	35.18/35.43
3	43.43/43.68	44.70/44.95



SQUARE FLANGE BULKHEAD PLUG/SOCKETS & SOCKET/PLUGS (LMF ONLY)				
Shell Size	A	B	C dia.	D dia.
1	25.40	33.78	25.53/25.65	3.73
2	31.37	41.91	31.11/31.24	4.85
3	38.48	48.77	40.64/40.77	4.85

LMG RANGE CONNECTOR PART NUMBER INDEX

Line No.	Part No.	Page No.	Line No.	Part No.	Page No.	Line No.	Part No.	Page No.	Line No.	Part No.	Page No.
1	LMG/1/07000/220	16	85	LMG/1/07096/220	33	169	LMG/1/07275/220	32	253	LMG/1/18510/220	35
2	LMG/1/07001/220	18	86	LMG/1/07100/220	16	170	LMG/1/07276/220	33	254	LMG/1/18518/220	29
3	LMG/1/07002/220	20	87	LMG/1/07101/220	18	171	LMG/1/07280/220	16	255	LMG/1/18519/220	34
4	LMG/1/07003/220	24	88	LMG/1/07102/220	20	172	LMG/1/07281/220	18	256	LMG/1/18520/220	35
5	LMG/1/07004/220	17	89	LMG/1/07103/220	24	173	LMG/1/07282/220	20	257	LMG/1/18528/220	29
6	LMG/1/07005/220	19	90	LMG/1/07104/220	17	174	LMG/1/07283/220	24	258	LMG/1/18529/220	34
7	LMG/1/07006/220	21	91	LMG/1/07105/220	19	175	LMG/1/07284/220	17	259	LMG/1/18538/220	29
8	LMG/1/07007/220	25	92	LMG/1/07106/220	21	176	LMG/1/07285/220	19	260	LMG/1/18539/220	34
9	LMG/1/07008/220	26	93	LMG/1/07107/220	25	177	LMG/1/07286/220	21	261	LMG/1/18548/220	29
10	LMG/1/07009/220	30	94	LMG/1/07108/220	26	178	LMG/1/07287/220	25	262	LMG/1/18549/220	34
11	LMG/1/07010/220	22	95	LMG/1/07109/220	30	179	LMG/1/07288/220	26	263	LMG/1/18550/220	35
12	LMG/1/07011/220	23	96	LMG/1/07110/220	22	180	LMG/1/07289/220	30	264	LMG/1/18558/220	29
13	LMG/1/07012/220	27	97	LMG/1/07111/220	23	181	LMG/1/07290/220	22	265	LMG/1/18559/220	34
14	LMG/1/07013/220	28	98	LMG/1/07112/220	27	182	LMG/1/07291/220	23	266	LMG/1/18560/220	35
15	LMG/1/07014/220	31	99	LMG/1/07113/220	28	183	LMG/1/07292/220	27	267	LMG/1/18568/220	29
16	LMG/1/07015/220	32	100	LMG/1/07114/220	31	184	LMG/1/07293/220	28	268	LMG/1/18569/220	34
17	LMG/1/07016/220	33	101	LMG/1/07115/220	32	185	LMG/1/07294/220	31	269	LMG/1/18570/220	35
18	LMG/1/07020/220	16	102	LMG/1/07116/220	33	186	LMG/1/07295/220	32	270	LMG/1/18578/220	29
19	LMG/1/07021/220	18	103	LMG/1/07200/220	16	187	LMG/1/07296/220	33	271	LMG/1/18579/220	34
20	LMG/1/07022/220	20	104	LMG/1/07201/220	18	188	LMG/1/07300/220	16	272	LMG/1/18580/220	35
21	LMG/1/07023/220	24	105	LMG/1/07202/220	20	189	LMG/1/07301/220	20			
22	LMG/1/07024/220	17	106	LMG/1/07203/220	24	190	LMG/1/07302/220	20			
23	LMG/1/07025/220	19	107	LMG/1/07204/220	17	191	LMG/1/07303/220	24			
24	LMG/1/07026/220	21	108	LMG/1/07205/220	18	192	LMG/1/07304/220	17			
25	LMG/1/07027/220	25	109	LMG/1/07206/220	21	193	LMG/1/07305/220	19			
26	LMG/1/07028/220	26	110	LMG/1/07207/220	25	194	LMG/1/07306/220	20			
27	LMG/1/07029/220	30	111	LMG/1/07208/220	26	195	LMG/1/07307/220	25			
28	LMG/1/07030/220	22	112	LMG/1/07209/220	30	196	LMG/1/07308/220	26			
29	LMG/1/07031/220	23	113	LMG/1/07210/220	22	197	LMG/1/07309/220	30			
30	LMG/1/07032/220	27	114	LMG/1/07211/220	23	198	LMG/1/07310/220	22			
31	LMG/1/07033/220	28	115	LMG/1/07212/220	27	199	LMG/1/07311/220	23			
32	LMG/1/07034/220	31	116	LMG/1/07213/220	28	200	LMG/1/07312/220	27			
33	LMG/1/07035/220	32	117	LMG/1/07214/220	31	201	LMG/1/07313/220	28			
34	LMG/1/07036/220	33	118	LMG/1/07215/220	32	202	LMG/1/07314/220	31			
35	LMG/1/07040/220	16	119	LMG/1/07216/220	33	203	LMG/1/07315/220	32			
36	LMG/1/07041/220	18	120	LMG/1/07220/220	16	204	LMG/1/07316/220	33			
37	LMG/1/07042/220	20	121	LMG/1/07220/220	18	205	LMG/1/07320/220	16			
38	LMG/1/07043/220	24	122	LMG/1/07222/220	20	206	LMG/1/07321/220	18			
39	LMG/1/07044/220	17	123	LMG/1/07223/220	24	207	LMG/1/07322/220	20			
40	LMG/1/07045/220	19	124	LMG/1/07224/220	17	208	LMG/1/07323/220	24			
41	LMG/1/07046/220	21	125	LMG/1/07225/220	18	209	LMG/1/07324/220	17			
42	LMG/1/07047/220	25	126	LMG/1/07226/220	21	210	LMG/1/07325/220	19			
43	LMG/1/07048/220	26	127	LMG/1/07227/220	25	211	LMG/1/07326/220	21			
44	LMG/1/07049/220	30	128	LMG/1/07228/220	26	212	LMG/1/07327/220	25			
45	LMG/1/07050/220	30	129	LMG/1/07229/220	30	213	LMG/1/07328/220	26			
46	LMG/1/07051/220	23	130	LMG/1/07230/220	22	214	LMG/1/07329/220	30			
47	LMG/1/07052/220	27	131	LMG/1/07231/220	23	215	LMG/1/07330/220	22			
48	LMG/1/07053/220	28	132	LMG/1/07232/220	27	216	LMG/1/07331/220	23			
49	LMG/1/07054/220	31	133	LMG/1/07233/220	28	217	LMG/1/07332/220	27			
50	LMG/1/07055/220	32	134	LMG/1/07234/220	31	218	LMG/1/07333/220	28			
51	LMG/1/07056/220	33	135	LMG/1/07235/220	32	219	LMG/1/07334/220	31			
52	LMG/1/07060/220	16	136	LMG/1/07236/220	33	220	LMG/1/07335/220	32			
53	LMG/1/07061/220	17	137	LMG/1/07240/220	16	221	LMG/1/07336/220	33			
54	LMG/1/07062/220	20	138	LMG/1/07241/220	18	222	LMG/1/07340/220	16			
55	LMG/1/07063/220	24	139	LMG/1/07242/220	20	223	LMG/1/07341/220	18			
56	LMG/1/07064/220	17	140	LMG/1/07243/220	24	224	LMG/1/07342/220	20			
57	LMG/1/07065/220	19	141	LMG/1/07244/220	17	225	LMG/1/07343/220	24			
58	LMG/1/07066/220	21	142	LMG/1/07245/220	19	226	LMG/1/07344/220	17			
59	LMG/1/07067/220	25	143	LMG/1/07246/220	21	227	LMG/1/07345/220	19			
60	LMG/1/07068/220	26	144	LMG/1/07247/220	25	228	LMG/1/07346/220	21			
61	LMG/1/07069/220	30	145	LMG/1/07248/220	26	229	LMG/1/07347/220	25			
62	LMG/1/07070/220	21	146	LMG/1/07249/220	30	230	LMG/1/07348/220	26			
63	LMG/1/07071/220	23	147	LMG/1/07250/220	22	231	LMG/1/07349/220	30			
64	LMG/1/07072/220	27	148	LMG/1/07251/220	23	232	LMG/1/07350/220	22			
65	LMG/1/07073/220	28	149	LMG/1/07252/220	27	233	LMG/1/07351/220	23			
66	LMG/1/07074/220	31	150	LMG/1/07253/220	28	234	LMG/1/07352/220	27			
67	LMG/1/07075/220	32	151	LMG/1/07254/220	31	235	LMG/1/07353/220	28			
68	LMG/1/07076/220	33	152	LMG/1/07255/220	32	236	LMG/1/07354/220	31			
69	LMG/1/07080/220	16	153	LMG/1/07256/220	33	237	LMG/1/07355/220	32			
70	LMG/1/07081/220	17	154	LMG/1/07260/220	16	238	LMG/1/07356/220	33			
71	LMG/1/07082/220	20	155	LMG/1/07261/220	17	239	LMG/1/18448/220	29			
72	LMG/1/07083/220	24	156	LMG/1/07262/220	20	240	LMG/1/18449/220	34			
73	LMG/1/07084/220	17	157	LMG/1/07263/220	24	241	LMG/1/18458/220	29			
74	LMG/1/07085/220	19	158	LMG/1/07264/220	17	242	LMG/1/18459/220	34			
75	LMG/1/07086/220	21	159	LMG/1/07265/220	19	243	LMG/1/18468/220	29			
76	LMG/1/07087/220	25	160	LMG/1/07266/220	21	244	LMG/1/18469/220	34			
77	LMG/1/07088/220	26	161	LMG/1/07267/220	25	245	LMG/1/18478/220	29			
78	LMG/1/07089/220	30	162	LMG/1/07268/220	26	246	LMG/1/18479/220	33			
79	LMG/1/07090/220	22	163	LMG/1/07269/220	30	247	LMG/1/18488/220	29			
80	LMG/1/07091/220	23	164	LMG/1/07270/220	22	248	LMG/1/18489/220	34			
81	LMG/1/07092/220	27	165	LMG/1/07271/220	23	249	LMG/1/18498/220	29			
82	LMG/1/07093/220	28	166	LMG/1/07272/220	27	250	LMG/1/18499/220	34			
83	LMG/1/07094/220	31	167	LMG/1/07273/220	28	251	LMG/1/18508/220	29			
84	LMG/1/07095/220	32	168	LMG/1/07274/220	31	252	LMG/1/18509/220	34			

LMF / LMG RANGE

PRODUCT SAFETY INFORMATION

These notes are intended to be used in conjunction with the Product Catalogue and Product Specification. Products may be safely used in the applications for which they have been designed and within the specified rating and environments. If products are exposed to conditions outside the performance ratings or specified environments they may constitute a hazard. In particular it should be noted that:-

1. Material Content

Circular Connectors generally use metalwork parts made of brass, aluminium, phosphor-bronze or steel, which, dependant on the particular application, may be passivated and protected with cadmium or zinc plate – in conjunction with chromated or anodised surface finishes. The insulating materials can either be natural or synthetic rubber, together with plastic or glass-filled plastic moulded parts. Contact materials vary but are usually made of brass, phosphor-bronze, alumel or chromel.

2. Electric Shock, Burns and Fire

Hazard can occur if the product is used outside the specified parameters or if the product is damaged, wrongly wired, poorly assembled, poorly integrated into larger equipments, or contaminated with conductive fluids. Live circuit terminations must be protected and live circuits never broken by disconnecting products.

Hot spots may be created when resistance is increased due to damage or incorrect integration particularly soldering, or loose terminations. Overheating can cause breakdown of insulation, electric shock, burns or, ultimately, fire. In the event of fire noxious and/or toxic fumes may be released and, in these circumstances, any fire involving the product should be dealt with by personnel properly equipped. Connectors with exposed terminations or contacts should not be used on the current supply side of a circuit with exposed contacts on an unmated product. Before making a circuit live, the product and wiring should be checked to ensure there is no electrically conducting debris present. Circuit resistance checks should also be conducted before making the circuit live. Always ensure that connectors are assembled and wired by properly trained personnel.

3. Use, Transport and Storage of Products

Care must be exercised to avoid damage to any part of the products during transporting, storage or use. Abnormal transit or storage conditions and abuse during installation can give rise to damage. Products should not be used in a damaged condition.

Improper storage (particularly of damaged products) can give rise to additional hazards particularly corrosion. Attention is specifically drawn to the need for proper storage of products containing cadmium and you are advised to see the Guidance Note from the Health and safety Executive on Cadmium – Health and Safety Precautions.

4. Disposal of Products

Product should not be burnt.

SAFETY RULES

1. FOLLOW THE GUIDELINES GIVEN.
2. ALWAYS PROTECT LIVE CIRCUITS AND NEVER DISCONNECT A LIVE CONNECTOR.
3. NEVER USE A DAMAGED CONNECTOR.
4. NEVER BURN DISCARDED CONNECTORS.