



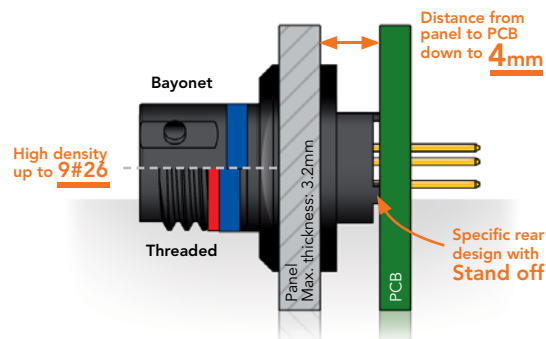
Now Available with PC Tail Contacts

A full flexible range of rear and front mounting PC Tail connector with size #22 or #26 contacts. Exceeds the requirements of the most demanding miniature boxes.

High density: 3 to 9 contacts ■ Space and weight saving.
Contacts #22 or #26

PCB compounded termination ■ High sealing (10^{-4} atm.cm³/s).

Bayonet or threaded coupling ■ Flexible coupling styles for multiple applications.
Jam nut, oval & square flange Tight and flexible mounting.
Rear and front mounting





Miniature sizes

- **A compact solution**
 - The smallest connector available on the market (shell size 3)
 - Miniaturization of MIL-DTL-38999 Series I & III
 - Stand-off on sizes 5 & 7
- **A versatile solution**
 - 3 shell sizes (3, 5, 7)
 - Threaded or bayonet coupling
 - Aluminum shell, 3 platings
 - Contacts #22D & #26
 - 6 keyings
- **Harsh environment-resistant solution**
 - Cavity to cavity sealed with interfacial seal and grommet
 - Fluid resistant
 - Compounded

Technical features

Mechanical

- **Shell:**
Aluminum alloy
- **Shell plating:**
Z: Zinc nickel (RoHS)
F: Nickel (RoHS)
W: Olive drab cadmium
- **Insulator:**
Thermoplastic
- **Contact body:**
Copper alloy
- **Contacts plating:**
Gold over nickel plated
- **Shell endurance:**
500 mating/unmating cycles

Electrical

- **Test voltage (at sea level):**
Size 22D: 1000 Vrms
Size 26: 400 Vrms
 - **Contact resistance:**
Size 22D: <14.6 mΩ Size 26: <16 mΩ
 - **Contact rating:**
Size 22D: 5A Size 26: 3A
 - **Shell to shell continuity (typical value)**
- | Shell size | 8DA | 8LTA |
|------------|-------|--------|
| 3 | NA | 250 mΩ |
| 5 | 10 mΩ | |
| 7 | | |
- **EMI:**
8DA: -70dB @ 1GHz
8LTA: -55 dB @ 1Ghz

Environmental

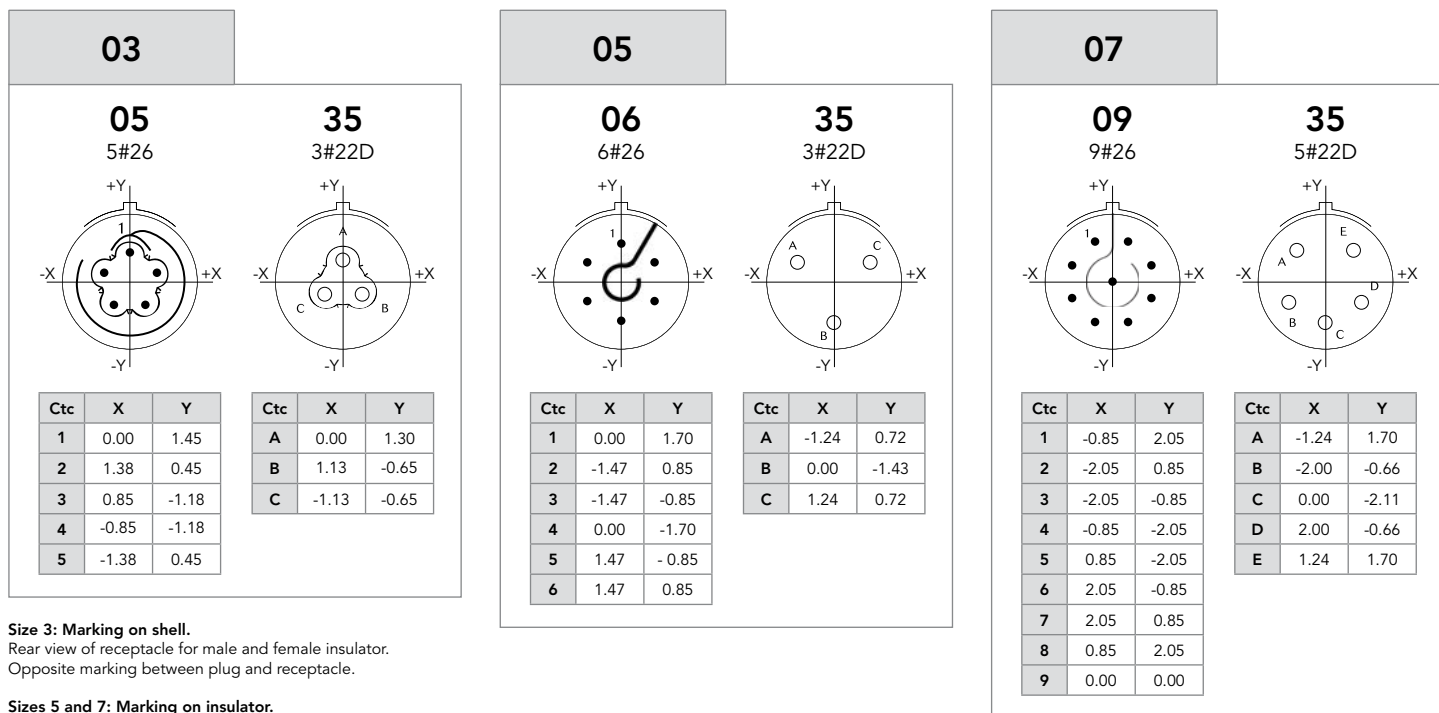
- **Temperature range:**
-55°C to +175°C
- **Water immersion:**
IP 67 on mated connector
1 meter for 30 min minimum
- **Hermeticity:**
10⁻⁴ atm.cm³/s
- **Salt spray:**
Zinc nickel: 500 hours
Nickel: 48 hours
Olive drab cadmium: 500 hours

Resistance to fluids

- **According to MIL-DTL-38999 standard**
Gasoline: JP5 (OTAN F44)
Mineral hydraulic fluid: MIL-H-5606 (OTAN H515)
Synthetic hydraulic fluid: Skydrol 500 B4
- **Compatible with de-icing fluids containing potassium acetate**

Contact layouts

8DA & 8LTA PCB hole drilling and position information.



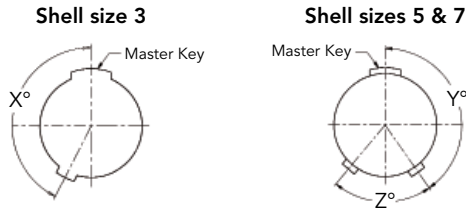
Size 3: Marking on shell.
Rear view of receptacle for male and female insulator.
Opposite marking between plug and receptacle.

Sizes 5 and 7: Marking on insulator.
Rear view of male insulator for plug and receptacle.
Opposite marking between male and female insulator.

Ordering information

Basic Series: 8DA: Threaded coupling 8LTA: Bayonet coupling	8DA	90	C	03	Z	05	P	N
Shell type: 90: Square flange receptacle with PCB contacts 92: Oval flange receptacle with PCB contacts (8LTA only) 97: Jam nut receptacle with PCB contacts								
PC tail type: C: Short L: Long (consult us) Note: scoop proof for 8DA size 5 & 7, size 3 consult us.								
Shell size: 03, 05, 07 (see above)								
Plating: Z: Black zinc nickel F: Nickel W: Olive drab cadmium								
Contact layouts: See above								
Contact type: P: Pin								
Orientation: N, A, B, C, D, E (see next page)								

Orientations

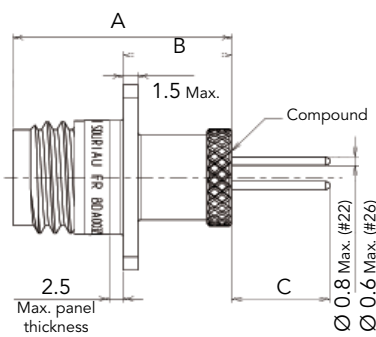


Shell size	Angles	N	A	B	C	D	E
3	X°	153	51	102	204	255	306
5 & 7	Y°	145	130	110	155	90	90
	Z°	75	120	120	115	115	180

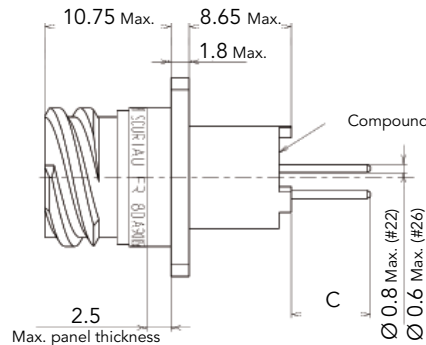
Viewed from front face of plug

8DA Dimensions

Square flange receptacle with PC tail contacts - Shell type 90



Shell size 3

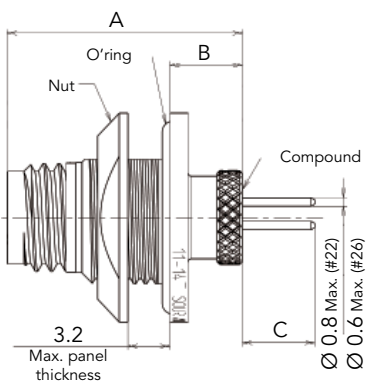


Shell size 5 & 7

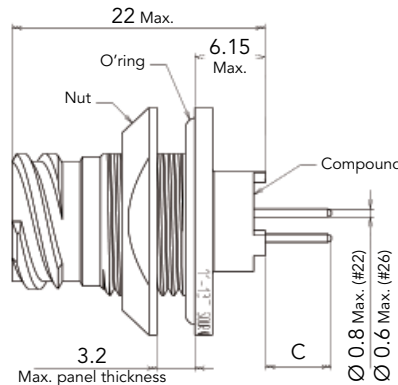
Layout	A Max.	B Max.	C Min.	C Max.
03-05	15	6.5	8.47	9.47
03-35	18	9	7.39	8.12
05-06	-	-	5.89	7
05-35	-	-	5.87	6.9
07-09	-	-	6.04	7
07-35	-	-	5.82	6.9

Shell design vary according to shell size.
For L contact (long PC tail) please consult us.

Jam nut receptacle with PC tail contacts - Shell type 97



Shell size 3



Shell size 5 & 7

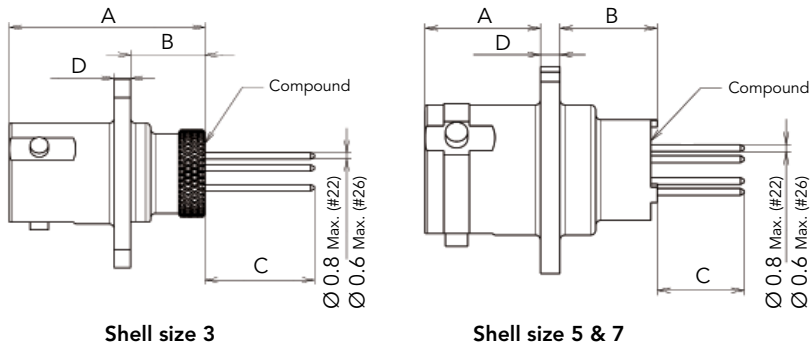
Layout	A Max.	B Max.	C Min.	C Max.
03-05	18.5	4.2	5.87	6.97
03-35	20.5	6.2	5.19	6.02
05-06	-	-	4.86	5.95
05-35	-	-	4.82	5.85
07-09	-	-	4.99	5.95
07-35	-	-	4.77	5.85

Shell design vary according to shell size.
For L contact (long PC tail) please consult us.

Note: All dimensions are in millimeters (mm). Shell design vary according to shell size. For L contact (long PC tail) please consult us.

8LTA Dimensions

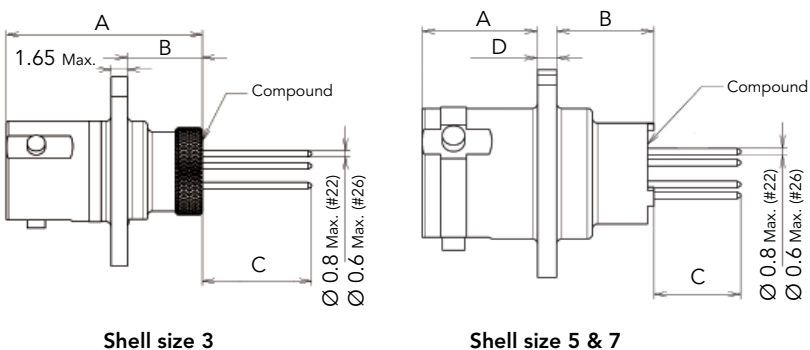
Square flange receptacle with PC tail contacts - Shell type 90



Layout	A Max.	B Max.	C Min.	C Max.	D Max.
03-05	16.4	6.35	8.75	9.49	1.65
03-35	17.7	7.75	7.40	8.19	1.65
05-06	9.25	7.85	6.54	7.34	1.80
05-35	9.25	7.85	6.47	7.19	1.80
07-09	13.05	7.35	5.80	6.62	2.35
07-35	13.05	7.35	5.53	6.52	2.35

Shell design vary according to shell size.
For L contact (long PC tail) please consult us.

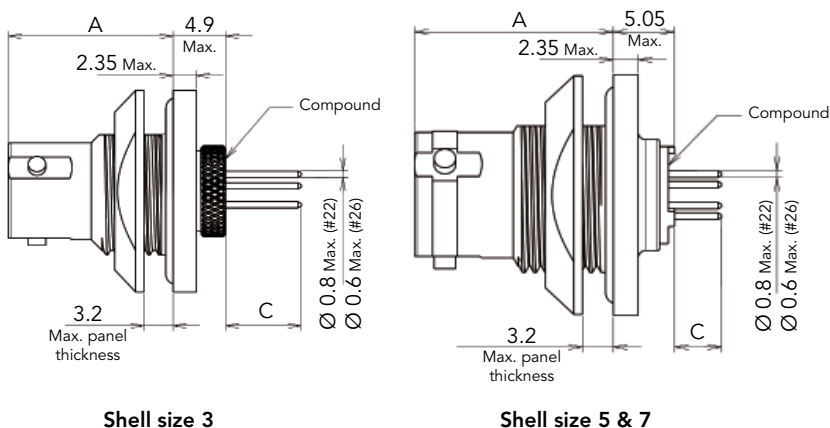
Oval flange receptacle with PC tail contacts - Shell type 92



Layout	A Max.	B Max.	C Min.	C Max.	D Max.
03-05	16.2	6.35	8.75	9.49	-
03-35	17.5	7.75	7.4	8.19	-
05-06	9.25	7.85	6.54	7.34	1.80
05-35	9.25	7.85	6.47	7.19	1.80
07-09	13.05	7.35	5.8	6.62	2.35
07-35	13.05	7.35	5.53	6.52	2.35

Shell design vary according to shell size.
For L contact (long PC tail) please consult us.

Jam nut receptacle with PC tail contacts - Shell type 97



Layout	A Max.	Short PC tail C		Long PC tail L	
		C Min.	C Max.	C Min.	C Max.
03-05	14.4	6.15	7.04	10.65	11.54
03-35	15.7	4.8	5.7	9.3	10.19
05-06	16.4	3.54	4.52	7.99	9.02
05-35	16.4	3.42	4.33	7.92	8.83
07-09	21.3	4.05	5.07	7.60	8.57
07-35	21.3	3.79	4.93	7.29	8.43

Shell design vary according to shell size.

Note: All dimensions are in millimeters (mm). Shell design vary according to shell size. For L contact (long PC tail) please consult us.

Gaskets

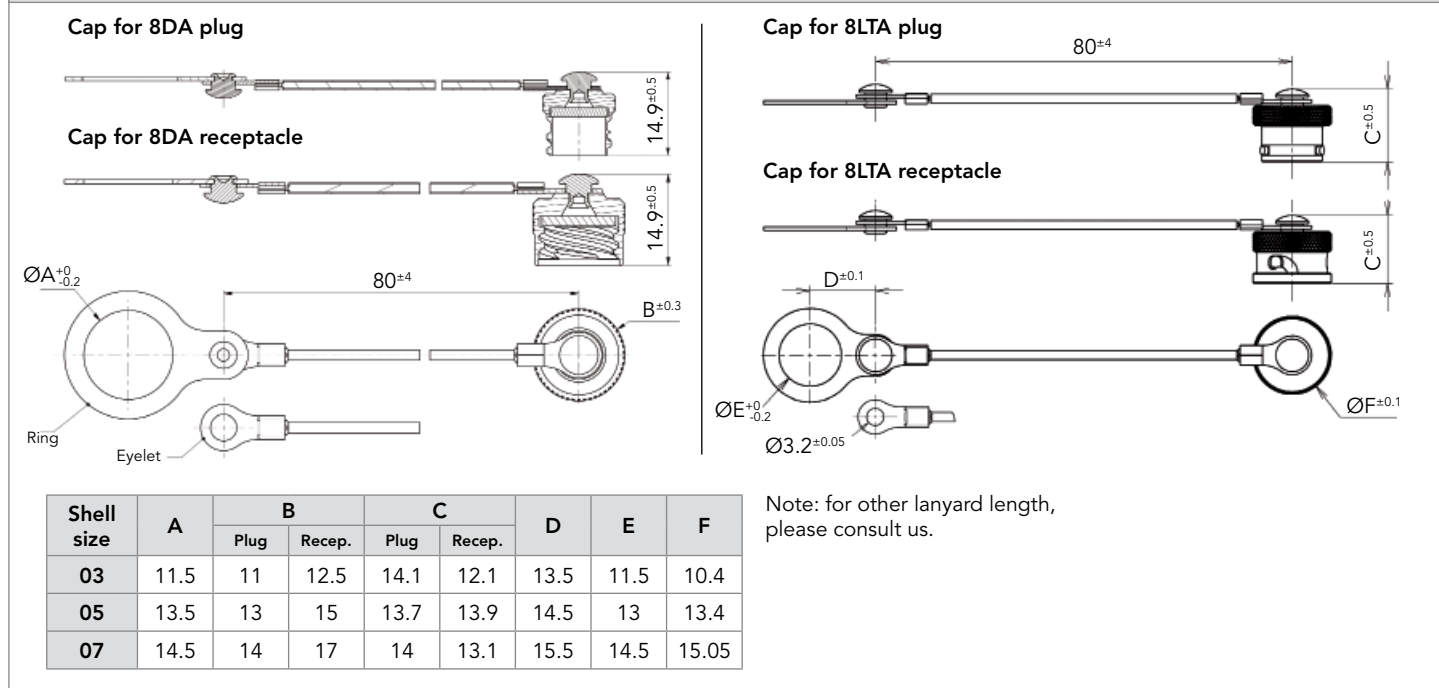
Shell size	8DA square flange receptacle	8LTA square flange receptacle	8LTA oval flange receptacle
3	8DA0G03	8LTA0G03	8LTA2G03
5	8DA0G05	8LTA0G05	8LTA2G05
7	8DA0G07	8LTA0G07	8LTA2G07



Aluminum caps

Basic Series: 8DAC: Cap for 8DA Series 8LTAC: Cap for 8LTA Series	8DAC	32	Z	03	N
Cap type: 32: Cap for plug 33: Cap for receptacle					
Plating: Z: Black zinc nickel F: Nickel W: Olive drab cadmium					
Shell size: 03, 05, 07					
Style: N: Ring R: Eyelet					

Dimensions



Note: All dimensions are in millimeters (mm)

For further information contact us at contactmilaero@souriau.com
 or visit our web site www.souriau.com