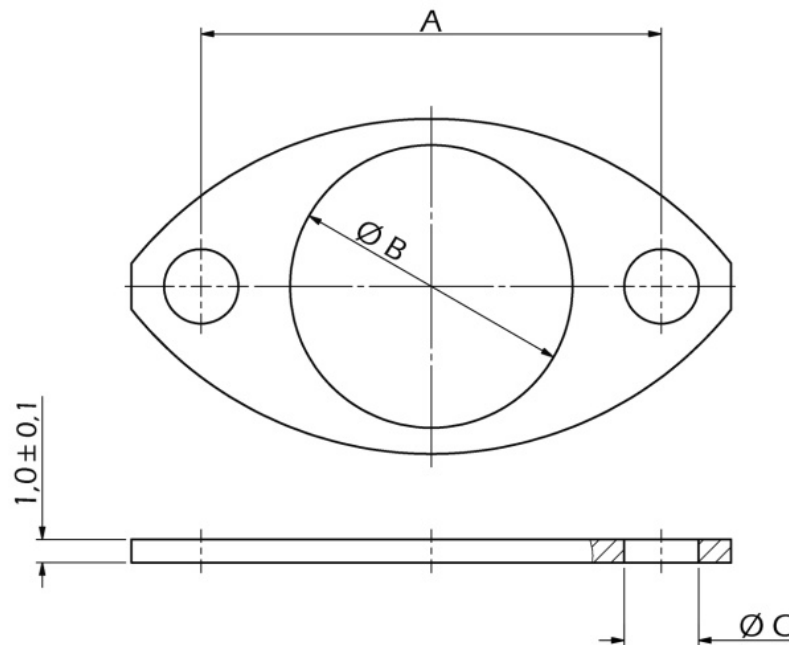




- Designed for two-hole oval flange mounted autosport / motorsport connectors
- Made from fluoroelastomer rubber
- Resistant to degradation through exposure to most motorsport fluids*
- Long-term sealing performance
- Available in 13 sizes
- Continuous operating temperature -20 to +200°C
- Max operating temperature +300°C



SHELL SIZE	PART NUMBER	A ± 0,25	Ø B ± 0,20	Ø C ± 0,25
02	LMA8688-02-00-00	15.30	8,8	2,70
04	LMA8688-04-00-00	16.20	10,5	2,70
06	LMA8688-06-00-00	18.00	12,05	2,70
07	LMA8688-07-00-00	19.80	12,35	3,20
08	LMA8688-08-00-00	21.40	12,50	3,20
10	LMA8688-10-00-00	25.90	15,50	3,20
12	LMA8688-12-00-00	29.10	19,55	3,20
14	LMA8688-14-00-00	32.50	22,72	3,20
16	LMA8688-16-00-00	34.80	25,90	3,20
18	LMA8688-18-00-00	38.20	29,07	3,20
20	LMA8688-20-00-00	41.60	32,25	3,20
22	LMA8688-22-00-00	45.00	35,40	3,20
24	LMA8688-24-00-00	49.50	38,60	3,80

* Note: Not recommended for long term immersion in fuels containing MEQH, ETOH, MTBE. etc.

This publication is issued to provide outline information only and unless specifically agreed to the contrary by LANE ELECTRONICS LTD. in writing, is not to form part of any order or contract or be regarded as a representation relating to the products or services concerned. LANE ELECTRONICS LTD. reserves the right to alter without notice the product design, price or conditions of supply of any product or service. Whilst every effort has been made to ensure that the information contained in this datasheet is accurate, no responsibility can be accepted for any errors or omissions, nor for the effects of such errors or omissions. It is the end user responsibility to ensure that this product is suitable for the intended application.