

LMA 67H Series - Circular Backshells

For use with: MIL-DTL-38999 Series III/EN3645, MIL-DTL-38999 Series IV

Features

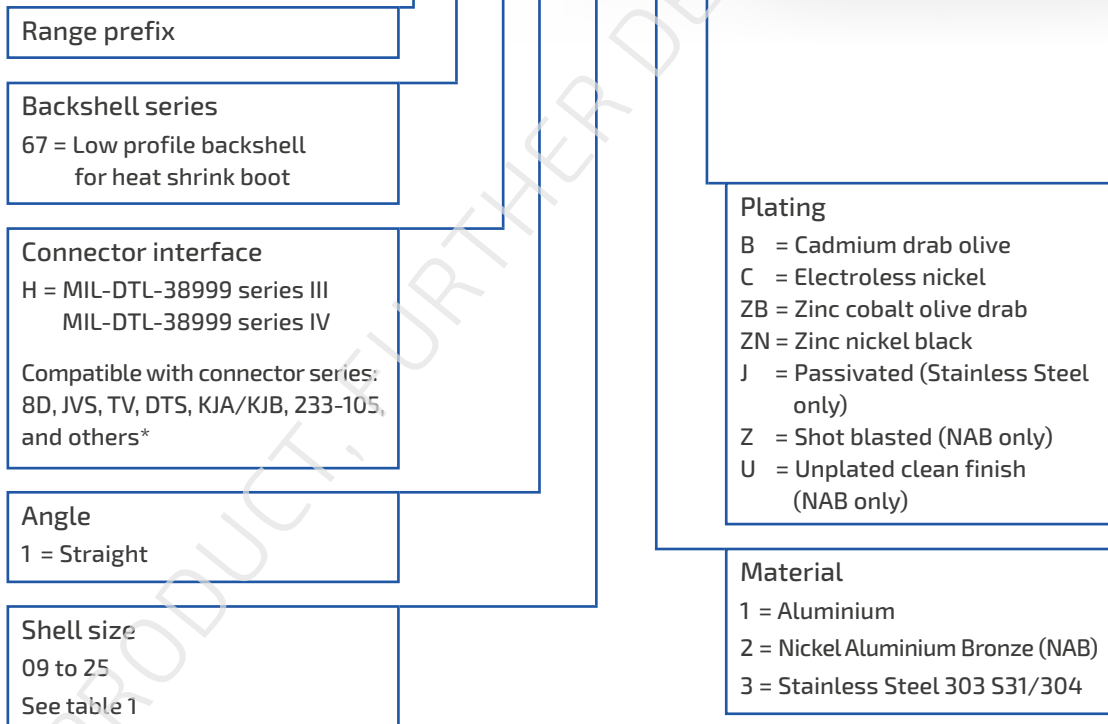
- Low profile design to save space and weight
- Sealing and strain relief of backshell by heat shrink boot

Additional Component Required

- Heat Shrinkable Boot



Part no example: **LMA 67 H 1 - 13 - 1 - B**

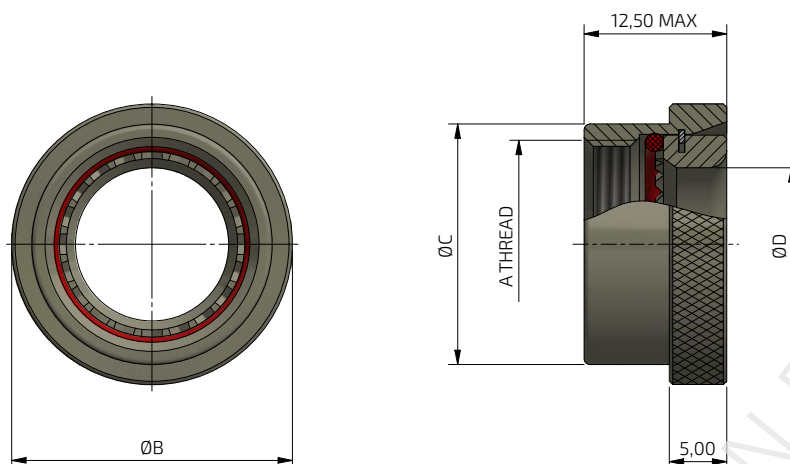


Recommended Torque Values (in Nm) **

Shell size								
9	11	13	15	17	19	21	23	25
6	8.5	12	13	13	13	15	15	15

* - Contact local Sales Office for details

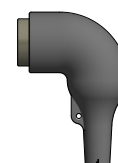
** - Before tightening the spin-coupling adapter, ensure the backshell teeth are correctly aligned and meshed with the connector teeth



Shell size	A thread	ØB max	ØC max	ØD ± 0.15
09	M12 x 1.0	18.00	15.00	8.00
11	M15 x 1.0	21.00	18.00	11.50
13	M18 x 1.0	24.50	21.00	13.30
15	M22 x 1.0	27.50	25.50	17.50
17	M25 x 1.0	31.00	28.60	20.00
19	M28 x 1.0	34.00	31.80	22.50
21	M31 x 1.0	37.00	34.00	25.60
23	M34 x 1.0	40.00	37.00	28.60
25	M37 x 1.0	43.50	40.00	31.80

Recommended Heat Shrinkable Boots

Shell size	Part numbers (HellermannTyton)		
	Straight (150 Series) Recommended for use in straight and 90° backshells	45° (1800 Series)	90° (1100 Series) Where space permits, 90 degree boots can be used on straight backshells
09	154-42	N/A	1154-4
11	155-42	1807-4	1155-4
13	156-42	1807-4	1156-4
15	156-42	1807-4	1156-4
17	157-42	1806-4	1157-4
19	157-42	1806-4	1157-4
21	157-42	1806-4	1157-4
23	158-41	1806-4	1158-4
25	158-41	1806-4	1158-4



The example part numbers indicated above provide a reference only to dimensional suitability with the associated backshell dimensions. **As many different cable types, materials and dimensions can be used within any given backshell assembly, it is important that the end-user carefully considers all aspects of the final assembly requirements when selecting and specifying appropriate part numbers.**

For full part number details, see the Hellermann Tyton catalogue at fclane.com website. Heat shrink boots and adhesive options are available from FC Lane Electronics Ltd.