

## LMA 67D Series - Circular Backshells

For use with: MIL-DTL-26482 Series I, PAT 105/PAT 603 and VG96912

### Features

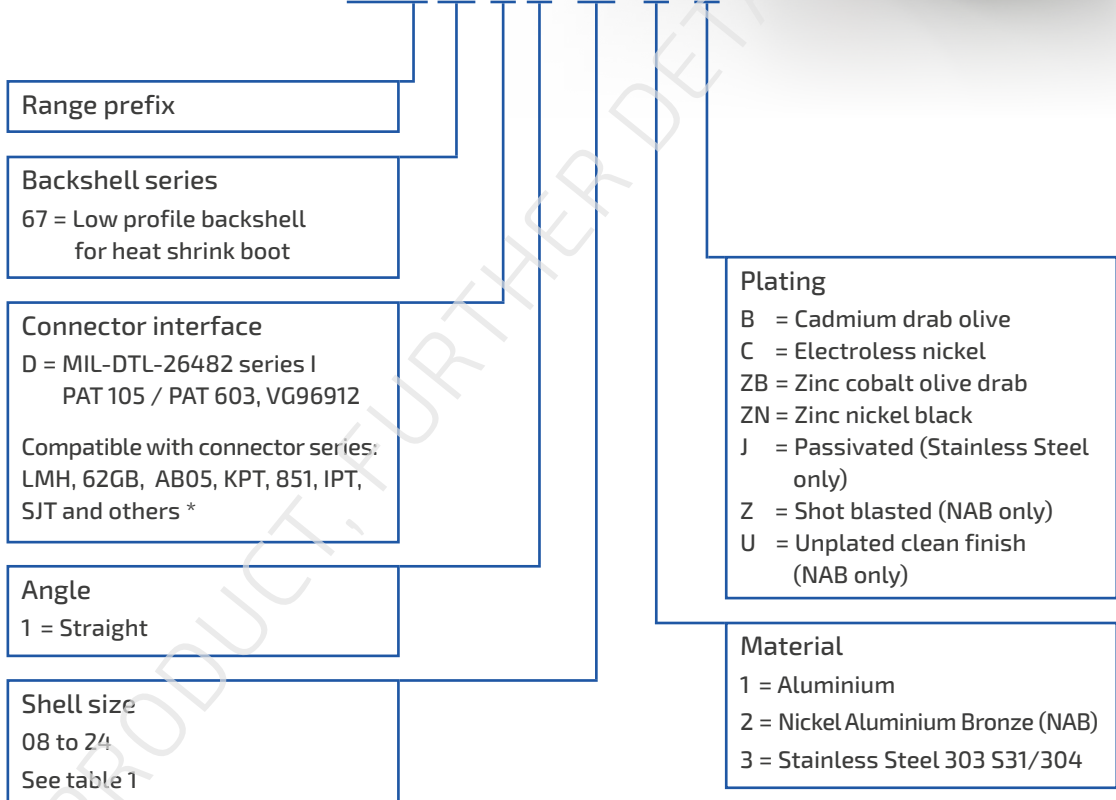
- Low profile design to save space and weight
- Sealing and strain relief of backshell by heat shrink boot

### Additional Component Required

- Heat Shrinkable Boot



Part no example: **LMA 67 D 1 - 12 - 1 - B**

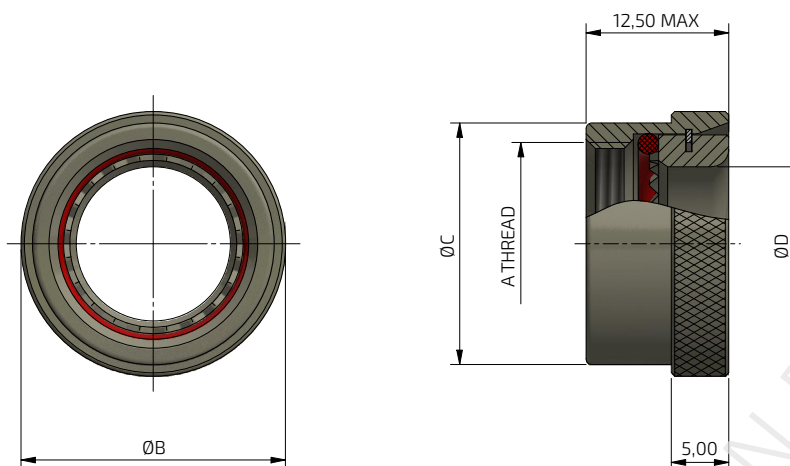


### Recommended Torque Values (in Nm) \*\*

Shell size								
8	10	12	14	16	18	20	22	24
4	4	4.5	4.5	6	6	9	9	9

\* - Contact local Sales Office for details

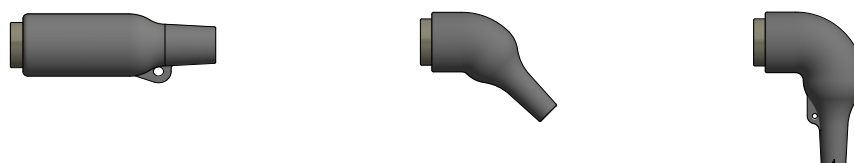
\*\* - Before tightening the spin-coupling adapter, ensure the backshell teeth are correctly aligned and meshed with the connector teeth



Shell size	A thread	ØB max	ØC max	ØD ± 0.15
08	7/16-28 UNEF	17.00	14.50	7.60
10	9/16-24 UNEF	20.00	18.00	10.70
12	11/16-24 UNEF	23.00	21.00	13.40
14	13/16-20 UNEF	26.00	24.00	16.50
16	15/16-20 UNEF	29.00	27.00	19.60
18	11/16-18 UNEF	32.50	30.50	22.50
20	13/16-18 UNEF	35.50	33.50	25.10
22	15/16-18 UNEF	38.50	36.50	28.40
24	17/16-18 UNEF	42.00	40.00	31.50

### Recommended Heat Shrinkable Boots

Shell size	Part numbers (HellermannTyton)		
	Straight (150 Series) Recommended for use in straight and 90° backshells	45° (1800 Series)	90° (1100 Series) Where space permits, 90 degree boots can be used on straight backshells
08	154-42	N/A	1154-4
10	155-42	1807-4	1155-4
12	156-42	1807-4	1156-4
14	156-42	1807-4	1156-4
16	157-42	1806-4	1157-4
18	157-42	1806-4	1157-4
20	157-42	1806-4	1157-4
22	158-41	1806-4	1158-4
24	158-41	1806-4	1158-4



The example part numbers indicated above provide a reference only to dimensional suitability with the associated backshell dimensions. **As many different cable types, materials and dimensions can be used within any given backshell assembly, it is important that the end-user carefully considers all aspects of the final assembly requirements when selecting and specifying appropriate part numbers.**

For full part number details, see the Hellermann Tyton catalogue at [fclane.com](http://fclane.com) website. Heat shrink boots and adhesive options are available from FC Lane Electronics Ltd.